



ST90A Series *TTL Level Magnetic Card Reader*

Feature

- Low power consumption, CMOS for TTL interface
- ISO 7811 conformance
- Data processing rate: 300 ~ 15,000 bps per track
- Widely operating voltage range 3.3V~5.5V
- Reading single, dual or triple track
- Small size

Specification

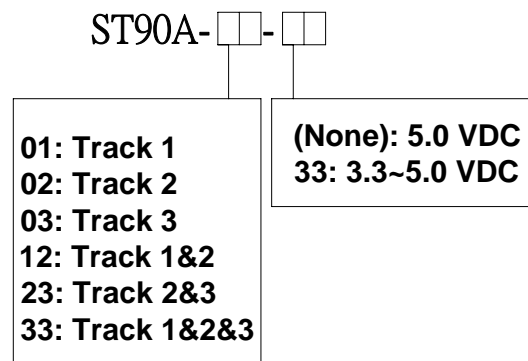
Item	Content		
ST90A-XX	Single track	Dual track	Triple track
Max DC Current @ DC5V	3.5 mA	3.5 mA	5.5 mA
ST90A-XX-33	Single track	Dual track	Triple track
Max DC Current @ DC3.3V	1.5 mA	1.5 mA	3.5 mA
Connector	11 pin 2.54mm Molex		
Card operation speed	10 ~ 180 cm/sec		
Decoding method	F/2F		
Operation temperature	-10 ~ 50°C		
Life time of head	Approx. 300,000 passes		
Card standard	ISO 7811		
Cable length	15 cm		

Guaranteed operating ranges

Symbol	Parameter	Min.	Typ.	Max.	Unit
Vcc	Supply Voltage	3.3	5	5.25	V
IoH	Output Current-High	—	—	-5	mA
IoL	Output Current-Low	—	—	6	mA

TA=25°C

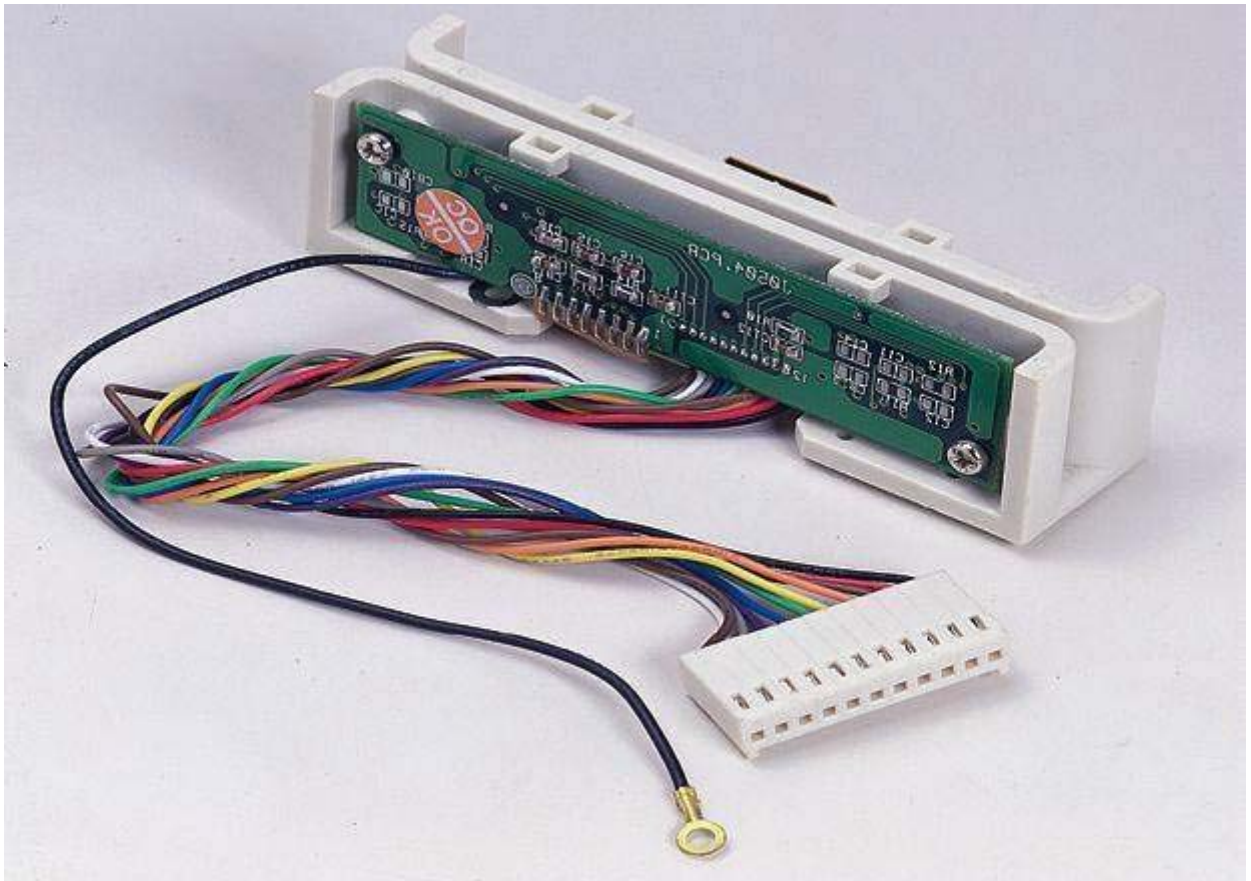
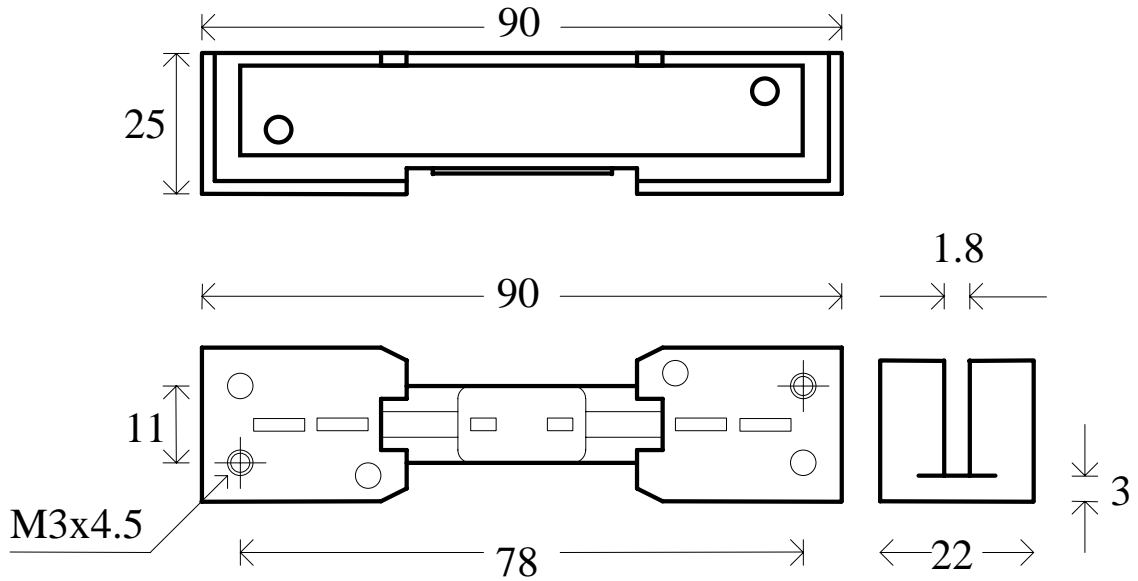
Model description



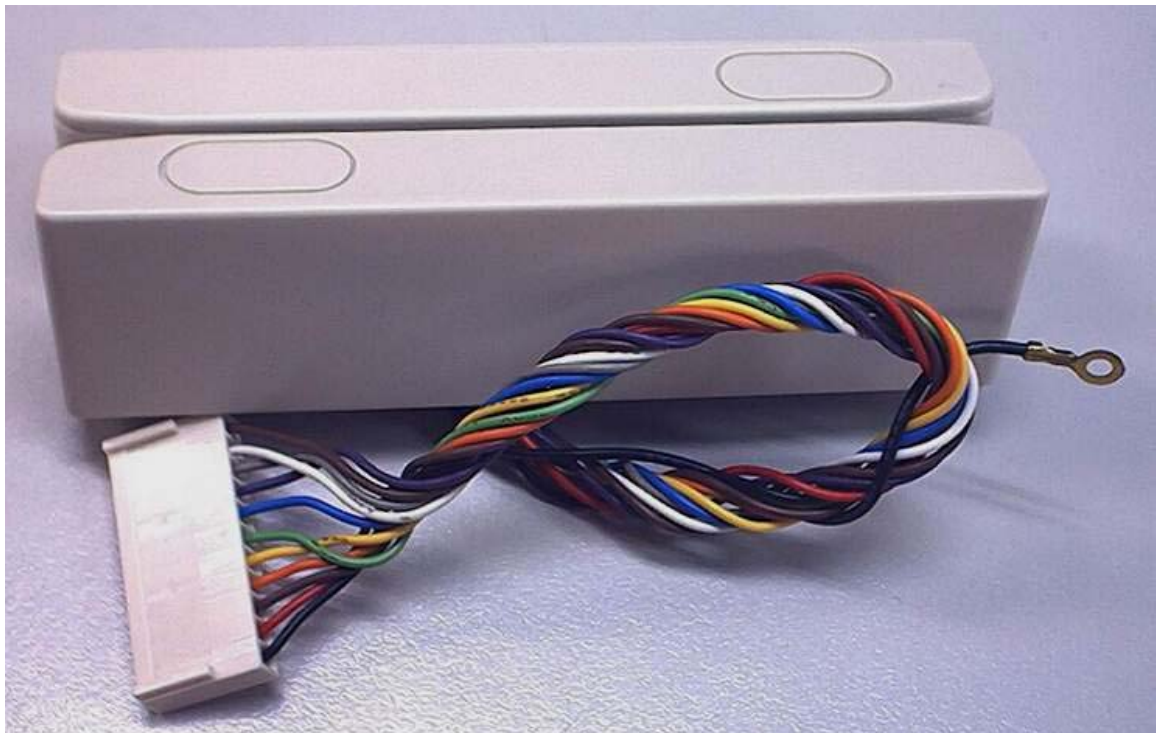
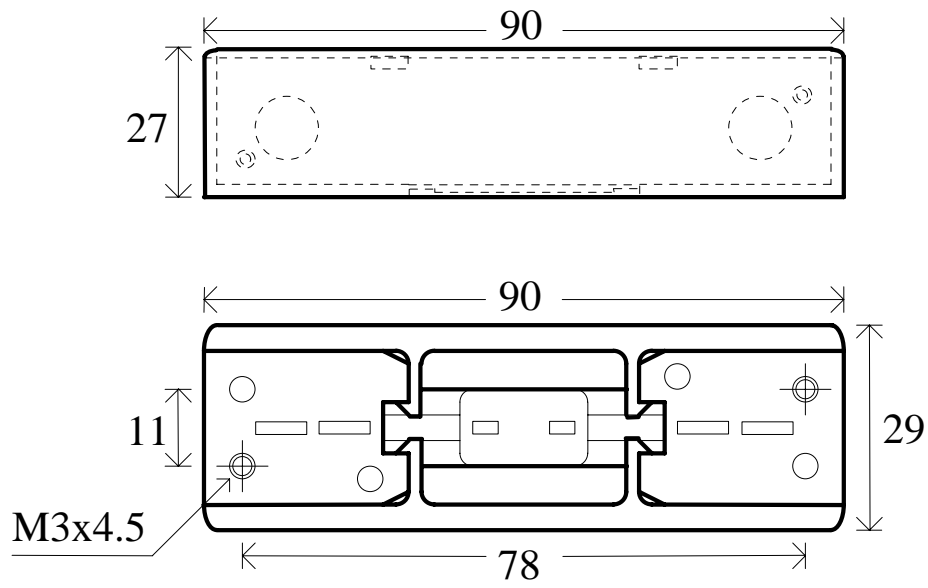


ST90A Series *TTL Level Magnetic Card Reader*

Dimension1 (without cover)

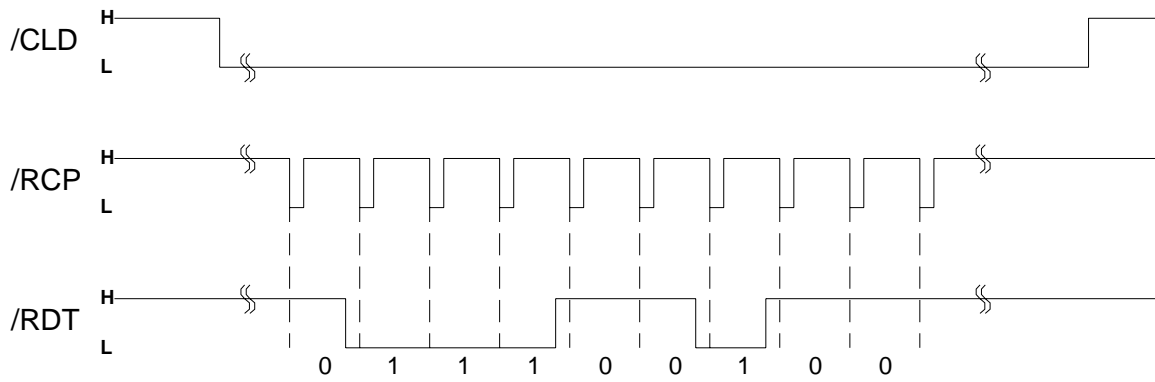


Dimension2 (with cover)



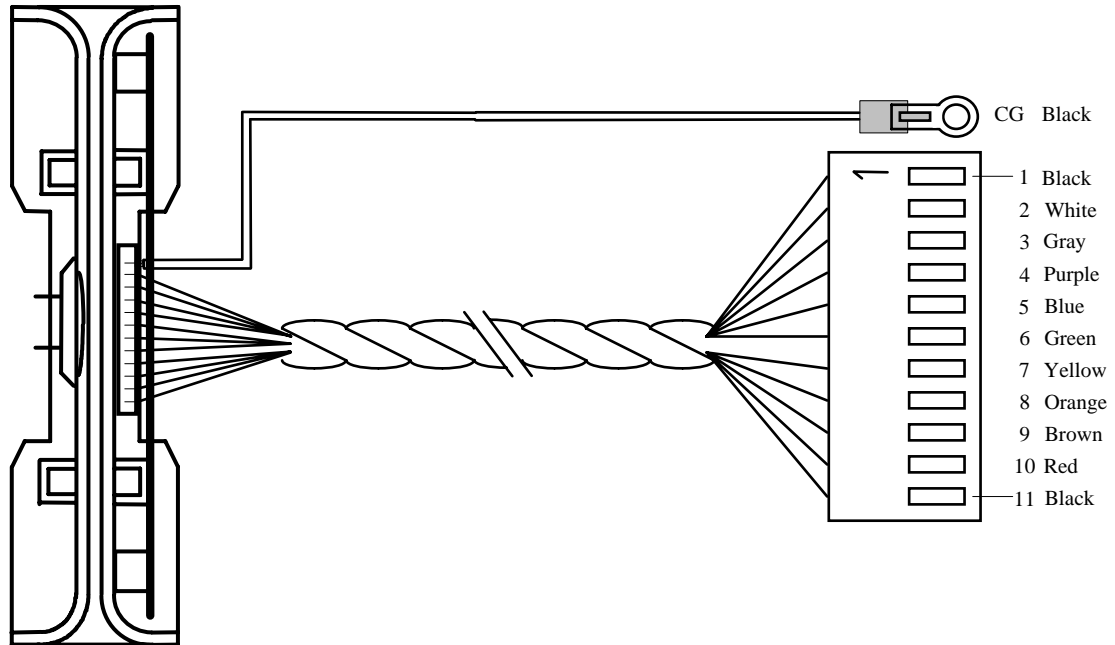


Timing



ST90A Series TTL Level Magnetic Card Reader

Cable Specification



Pin assignment

NO	Signal	Wire color
1	/RCP3	Black
2	/RDT3	White
3	/CLD3	Gary
4	/RCP2	Purple
5	/RDT2	Blue
6	/CLD2	Green
7	/RCP1	Yellow
8	/RDT1	Orange
9	/CLD1	Brown
10	Vcc	Red
11	GND	Black
CG	Case ground	Black