



SYL235R Super Thin Dual Track Read-only Magnetic Head

Description

- Dual track read-only magnetic head
- 500,000 passes life
- Super thin dimension, 3.5 mm thickness only
- RoHS compliant



Application

- ISO, JIS dual-track reading
- Identification Card Reading
- MSR (Magnetic Stripe Reader) applications
- Portable POS (Point of Sale) applications

Electrical Specifications

No	Item	Specification
1	DC Resistance (Unit = ohm, Tolerance± 30%)	280
2	Inductance@1KHz, 300mV (Unit = mH, Tolerance± 30%)	100
3	Read Output (Unit = mVp-p, Tolerance± 30%, Test Tape: 3M-777, Tape Speed: 8 IPS)	35
4	Insulation Resistance	50 M ohm Min.
5	Core Earth	10 ohm Max.

Production & Materials

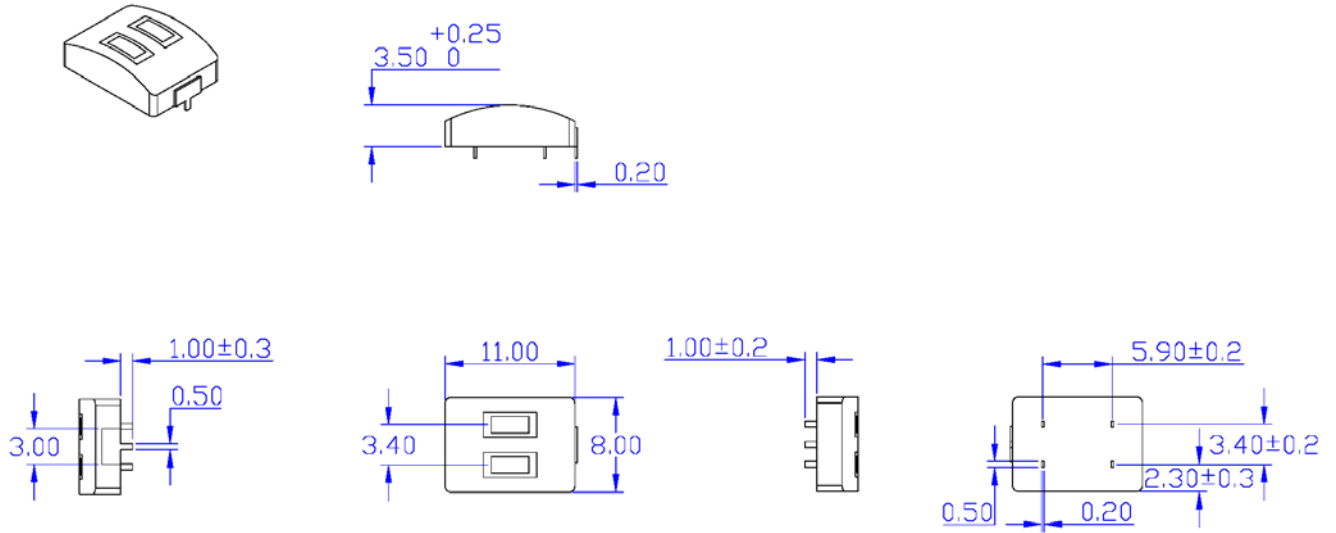
No	Item	Specification
1	Gap Width	10 μ m \pm 10%
2	Gap Depth	0.3 mm
3	Effective Track Width (ETW)	1.4 mm \pm 10%
4	Core & Shield Case	Permalloy

Reliability

No	Item	Specification
1	Life Test Condition: 0.3KGF + 20 IPS with an ISO7811 plastic card	500,000 passes
2	Operating Temperature	-20~65 °C
3	Humidity	10~90 %

SYL235R *Super Thin Dual Track Read-only Magnetic Head*

Dimension



Assembly Example 1

