



SCR1T & SCR10

Contact IC Card Reader

Model No.



SCR1T



SCR10

Feature

- Support ISO 7816, PBOC, EMV2000, GSM standards
- Support Microsoft PC/SC1.0 and USB org CCID standards
- Support to read/write protocol T=0 and T=1 CPU cards
- Support to read/write most memory and secure memory cards
- LED indicator to show operation status
- Support IC cards with 3V/5V operating voltages
- Adopt Mini USB socket and USB 2.0 standard
- Support EEPROM for USB descriptors customization, including VID/PID

Specification

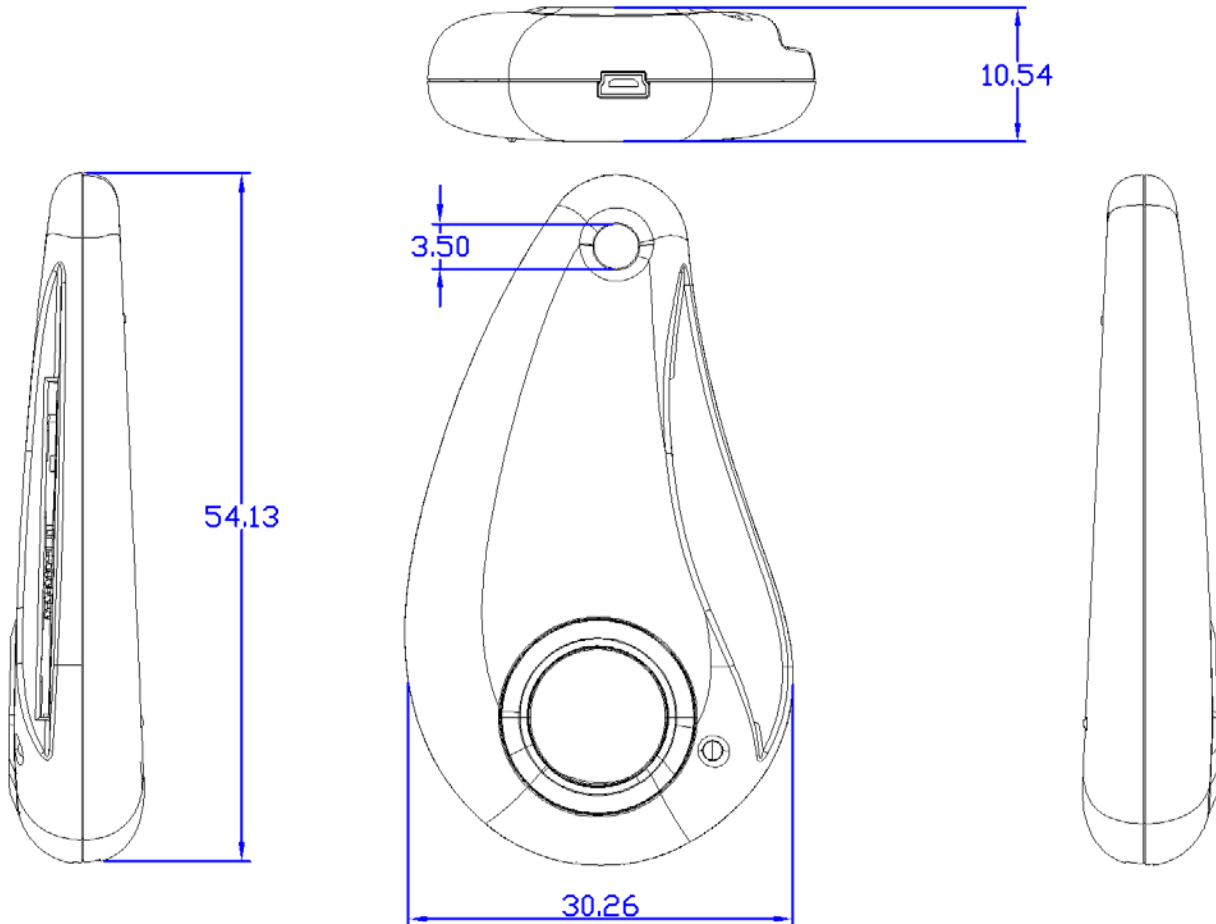
Item	Description
Standards	ISO7816, PBOC2.0, EMV2000, GSM
IC Card types	CPU Cards : ISO7816、PBOC、EMV2000, protocol T=0 /T=1 Memory Cards: I2C cards (AT24C01/02/04/08/16), AT45D041 Secure Memory Cards: SLE4418/28,SLE4432/42, AT88SC1608
Life of IC Card Contact	200,000 Insertions
I/O Control	1 LED indicator
Interface	USB 2.0。
Power Input	DC +4.75V~ +5.25V / 100mA。
Operating Temperature	0 ~ 50°C
Operating systems	Windows XP and later, Mac OS: 10.2.4 and later, Linux (with USB org CCID standard compliance)



SCR1T & SCR10

Contact IC Card Reader

Dimension- SCR1T

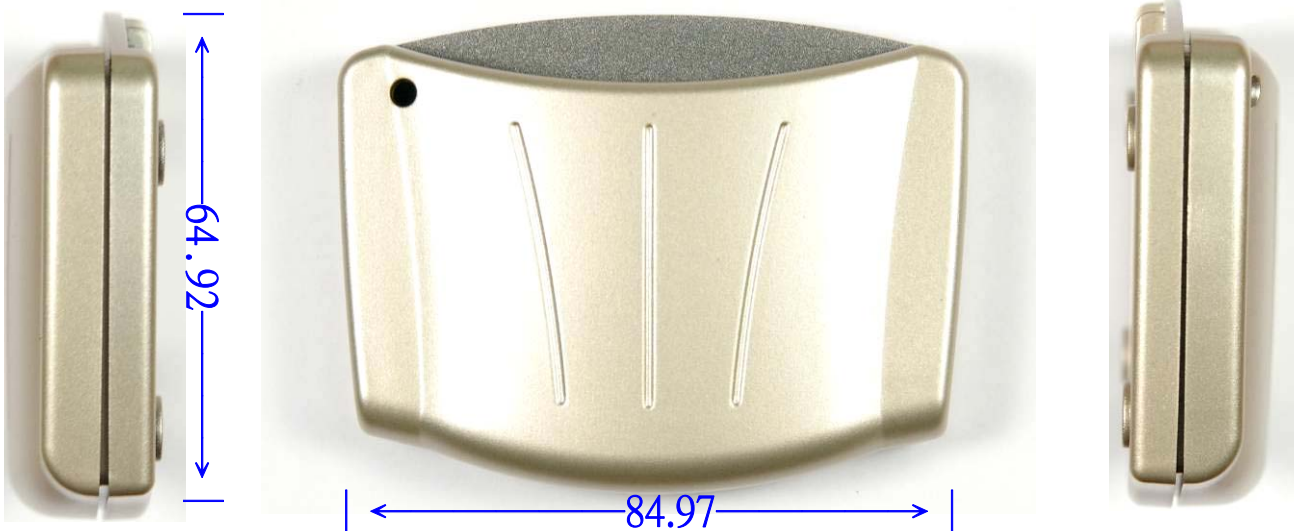




SCR1T & SCR10

Contact IC Card Reader

Dimension- SCR10

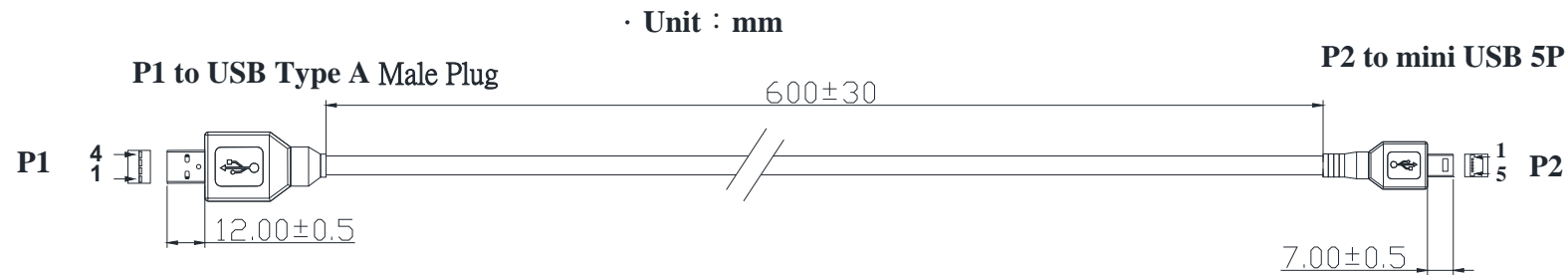


SCR1T & SCR10

Contact IC Card Reader

Cable Specification

Drawing: Type A Male Plug-to-mini USB Cable.



P1	P2	Color	Function
1	1	Red	Vcc
2	2	White	Data -
3	3	Green	Data +
4	5	Black	GND