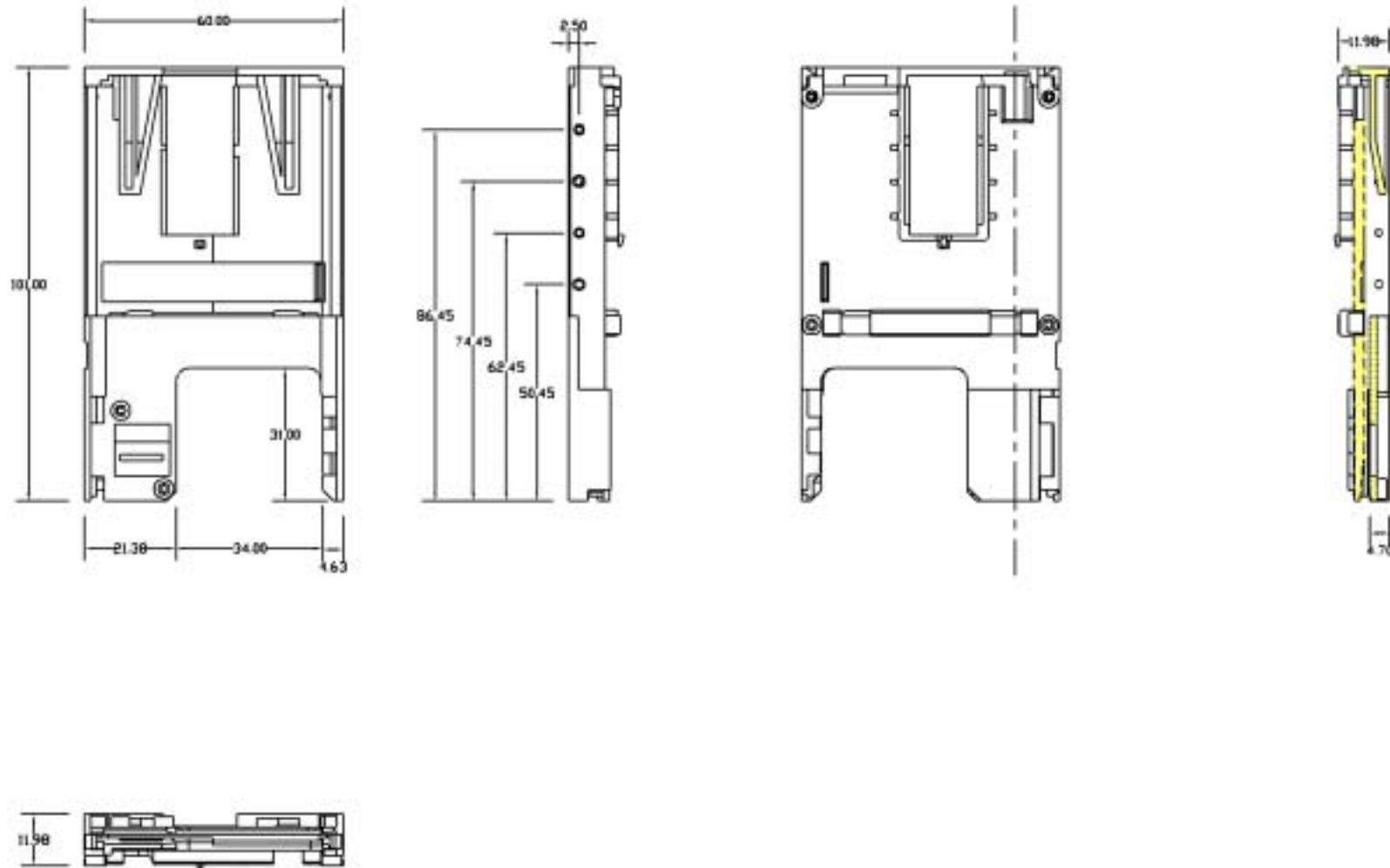
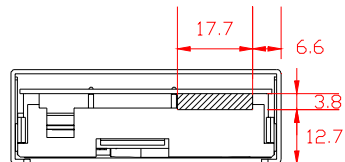
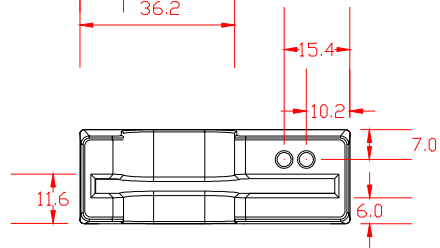
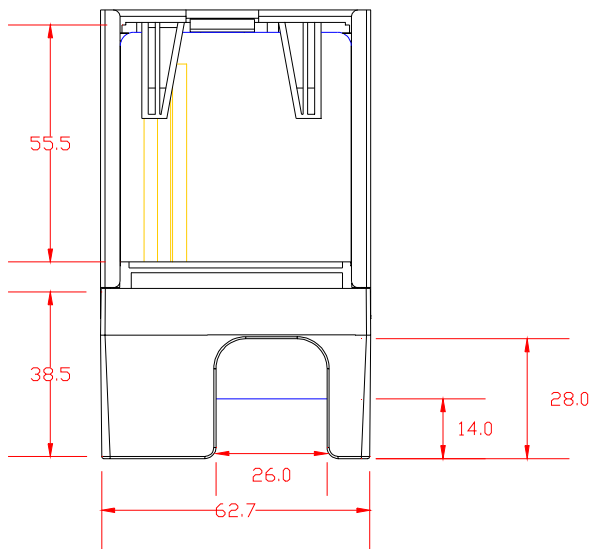
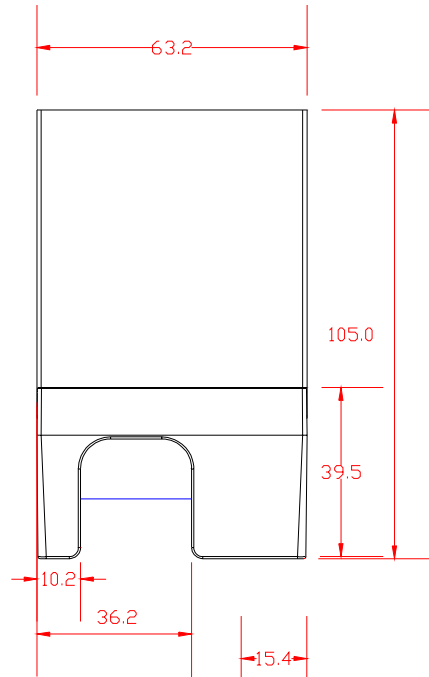
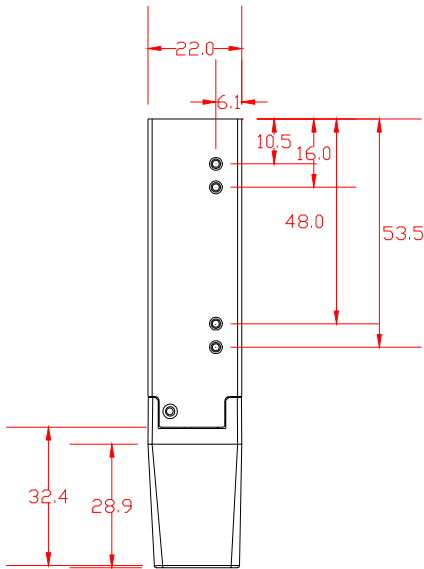
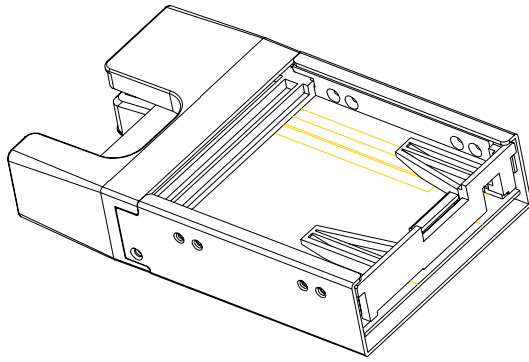
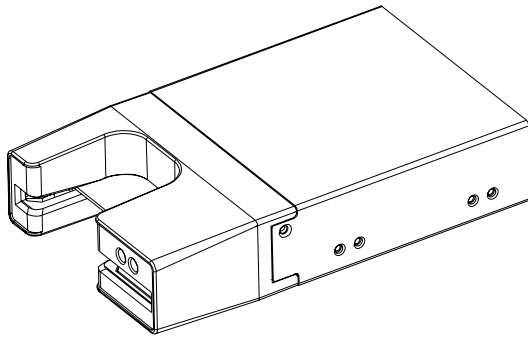


SCR28 module Dimension

Mechanical Layout 1 (Module type)



Mechanical Layout 2 (Internal type)



Mechanical Layout 3 (Standalone type)

