



SCR28 USB Series *Hybrid Manual Insertion Card Reader*

Feature

- 3-in-1 Hybrid smart/memory/magnetic card reader
- Compliant with ISO7811, ISO7816, EMV 2000 Level 1
- Manual bi-directional movement (insertion or removal) to read the magnetic card
- IC card landing contact
- On-board flash to upgrade firmware easily
- Card insertion responded by LED
- USB interface
- PC/SC standard compliant
- Plug & play installation for Microsoft Windows
- Drivers, demo programs and libraries for Microsoft Windows.

Specification

Item		Content		
Magnetic Card		ISO 7810, ISO 7811, JIS X 6301, JIS X 6302 (Read only)		
ISO 7811	Track	Track 1	Track 2	Track 3
	Recording density	210 BPI	75/210 BPI	210 BPI
	Capacity	79 characters (7 bit code)	40/107 characters (5 bit code)	107 characters (5 bit code)
	Start / End Code	% / ?	; / ?	; / ?
JISX6302 Type 1	Track	Track 1	Track 2	Track 3
	Recording density	210 BPI	75 BPI	210 BPI
	Capacity	79 characters (7 bit code)	40 characters (5 bit code)	107 characters (5 bit code)
	Start / End Code	% / ?	; / ?	; / ?
JISX6302 Type 2	Recording density	210 BPI		
	Capacity	72 characters (8 bit code)		
	Start / End Code	DEL / DEL		
Smart Card		ISO 7816 T=0,T=1, EMV 2000 Level 1 compliant (R/W)		
Memory Card		SLE 4442/4432, SLE4428/4418, GPM 8K/2K (R/W)		
USB		Compliant with USBV1.1		
Operation temperature		-10 ~ 50°C		
PC/SC		V1.0		
Driver and demo program		Microsoft 2000, XP, VISTA & 7, Server 2003 & 2008, 32 & 64 bits		
Libraries		DLL and OCX for Windows		



Model description

Types	Mode No.	IC Card		Magnetic Card 3 Tracks	USB Interface
		Smart Card	Memory Card		
Module	SCR28M-SM00U	●	●		●
	SCR28M-SM33U	●	●	●	●
Internal	SCR28I-SM00U	●	●		●
	SCR28I-SM33U	●	●	●	●
Standalone	SCR28S-SM00U	●	●		●
	SCR28S-SM33U	●	●	●	●
Flush Mount Bracket	SCR28F-SM00U	●	●		●
	SCR28F-SM33U	●	●	●	●
Translucent Bracket	SCR28T-SM00U	●	●		●
	SCR28T-SM33U	●	●	●	●

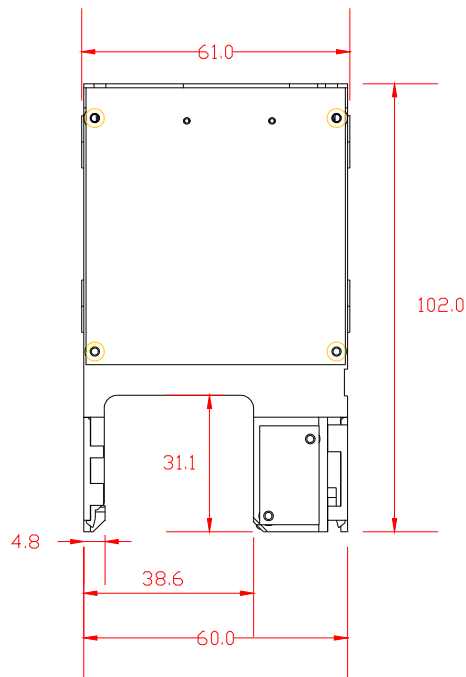
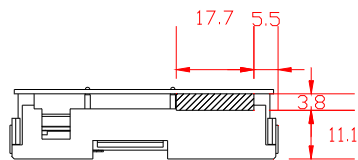
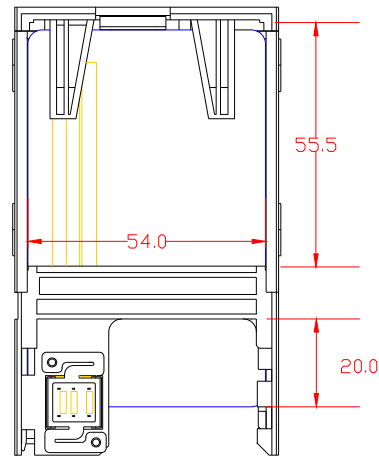
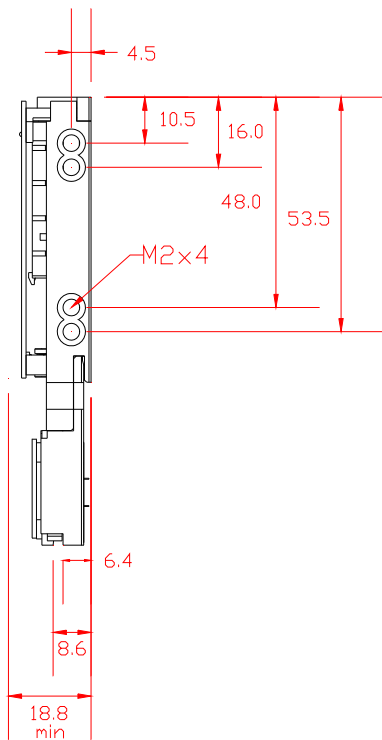
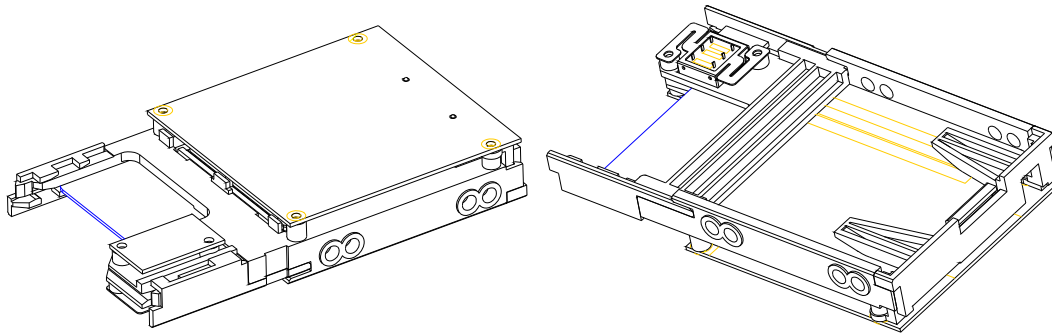
Model picture

Types	Pictures	
<p>Module</p>		
<p>Internal</p>		
<p>Standalone</p>		
<p>Flush Mount Bracket</p>		
<p>Translucent Bracket</p>		

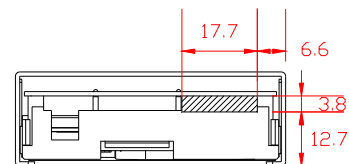
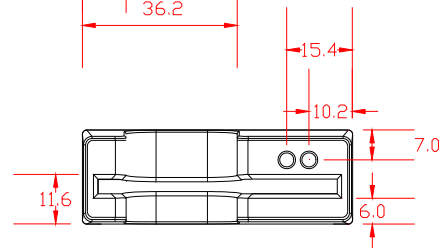
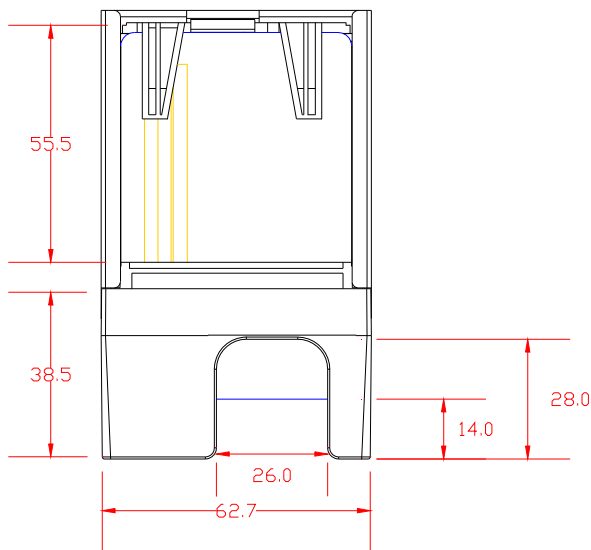
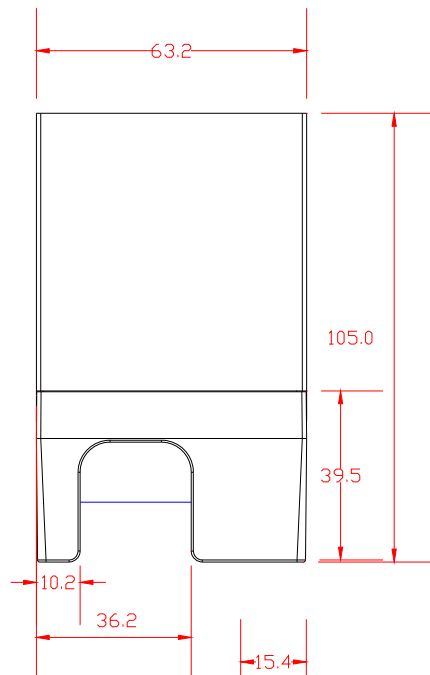
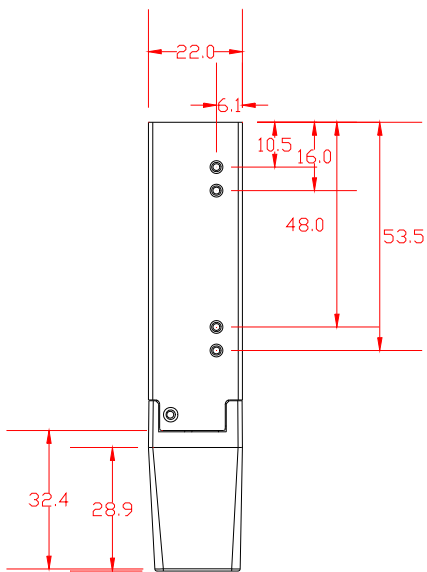
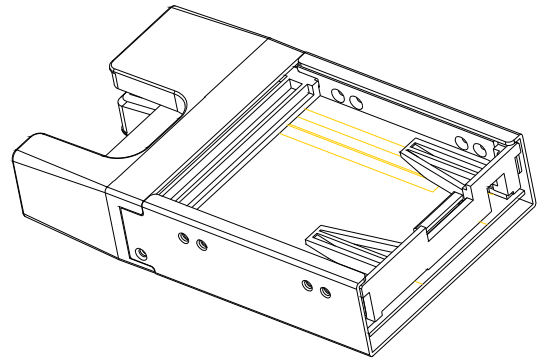
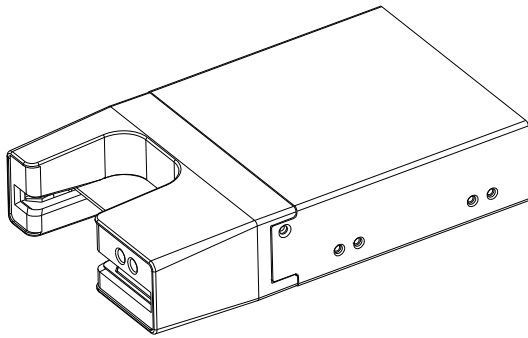


SCR28 USB Series Dimension

Mechanical Layout 1 (Module type)

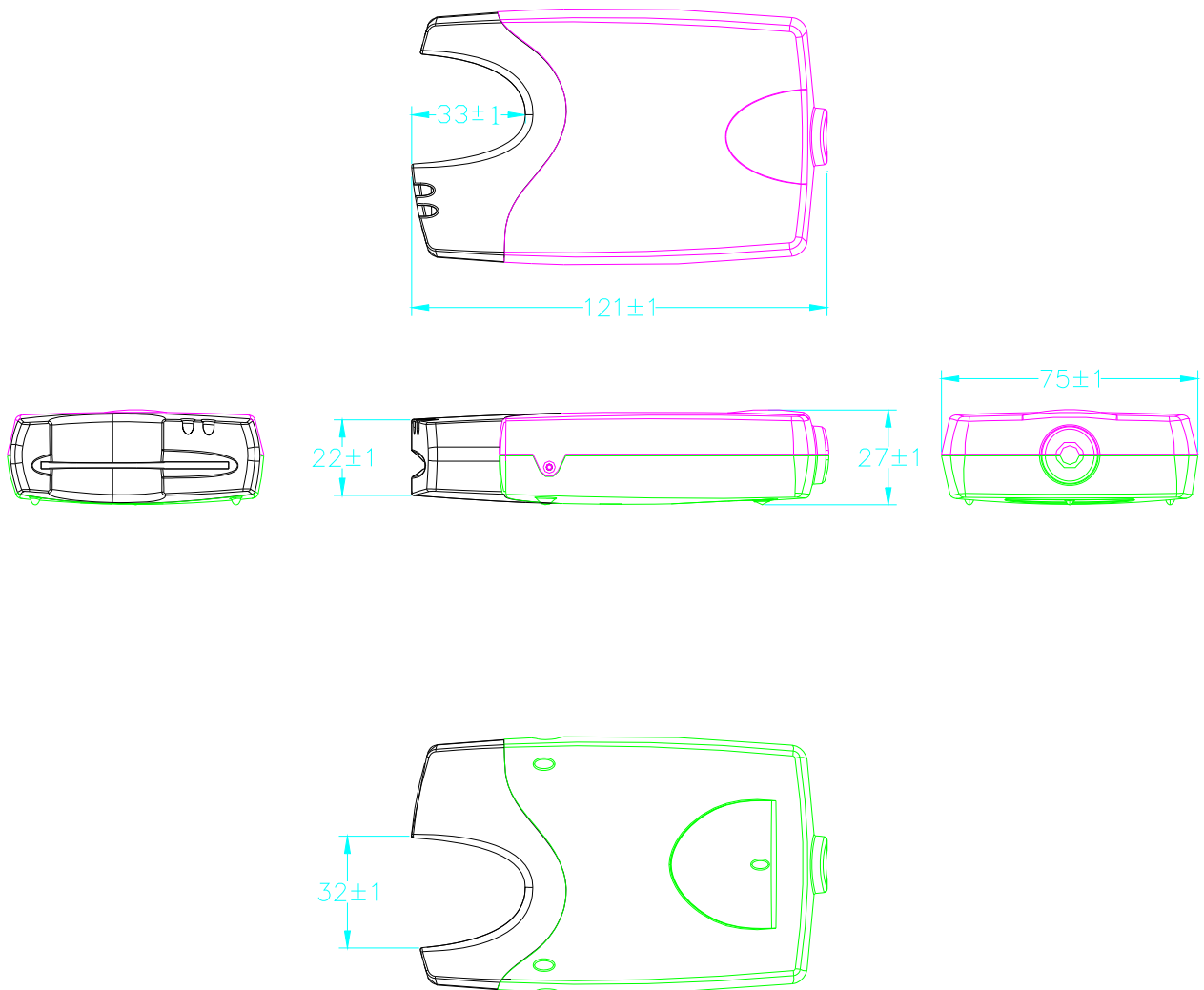


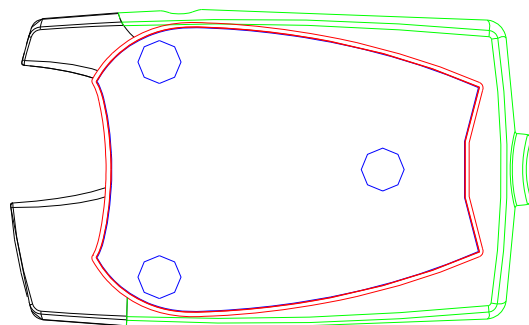
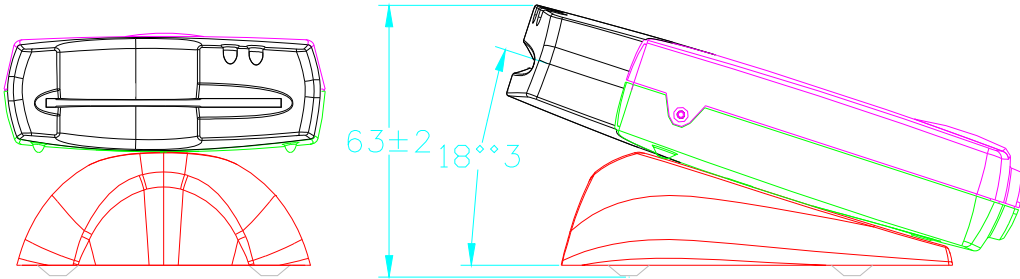
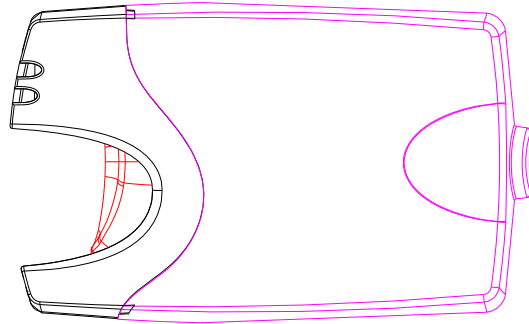
Mechanical Layout 2 (Internal type)





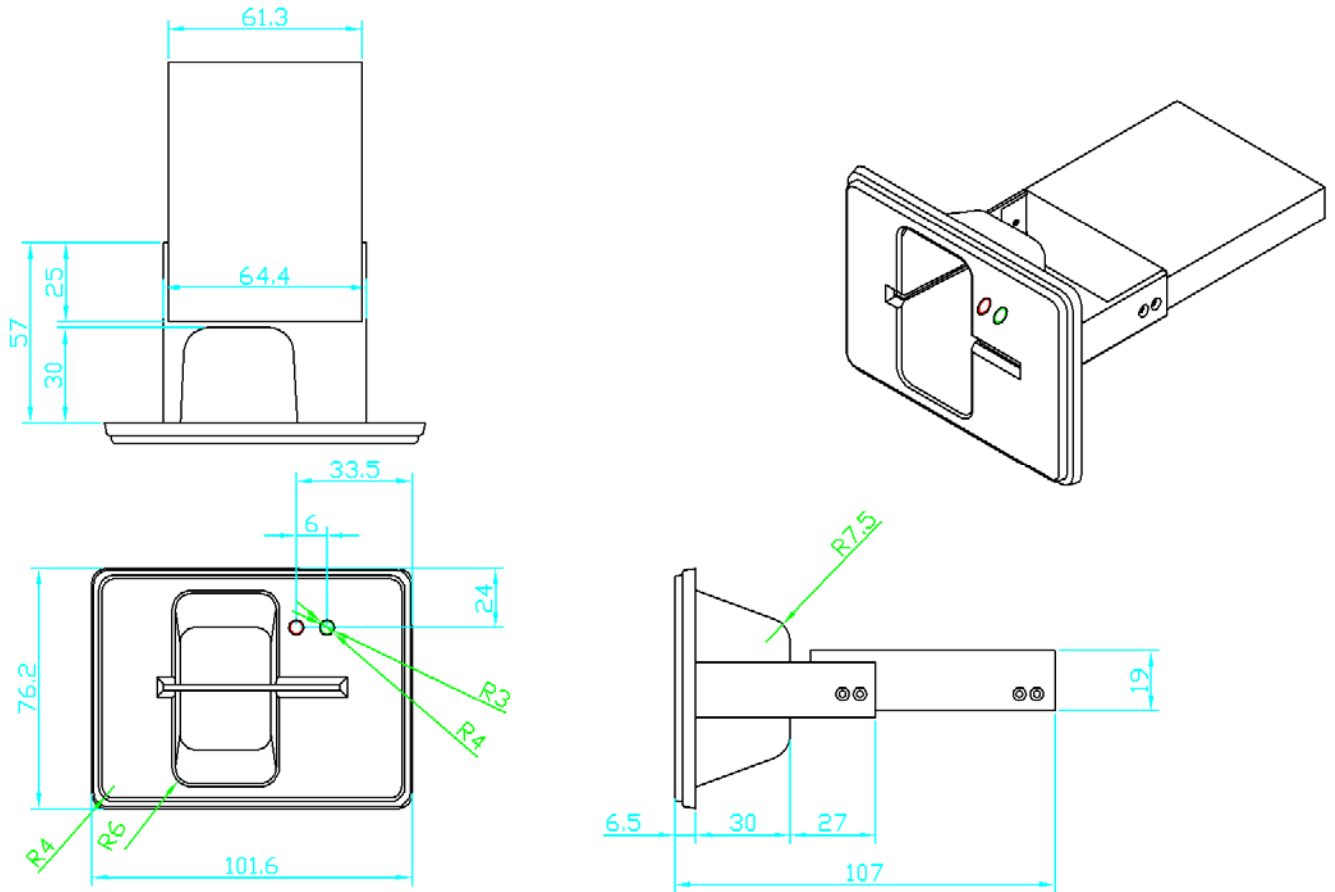
Mechanical Layout 3 (Standalone type)





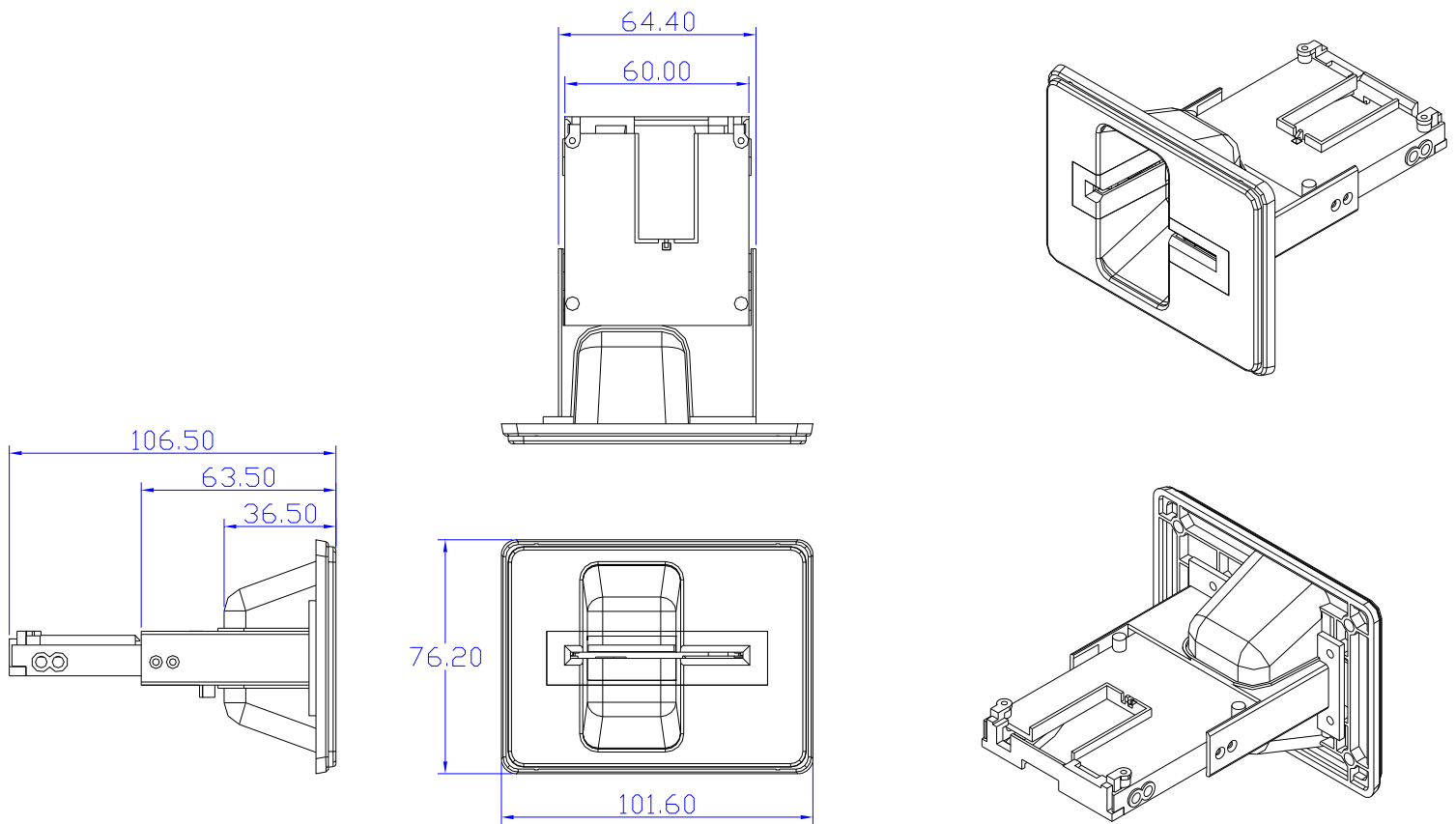


Mechanical Layout 4 (Flush Mount Bracket type)



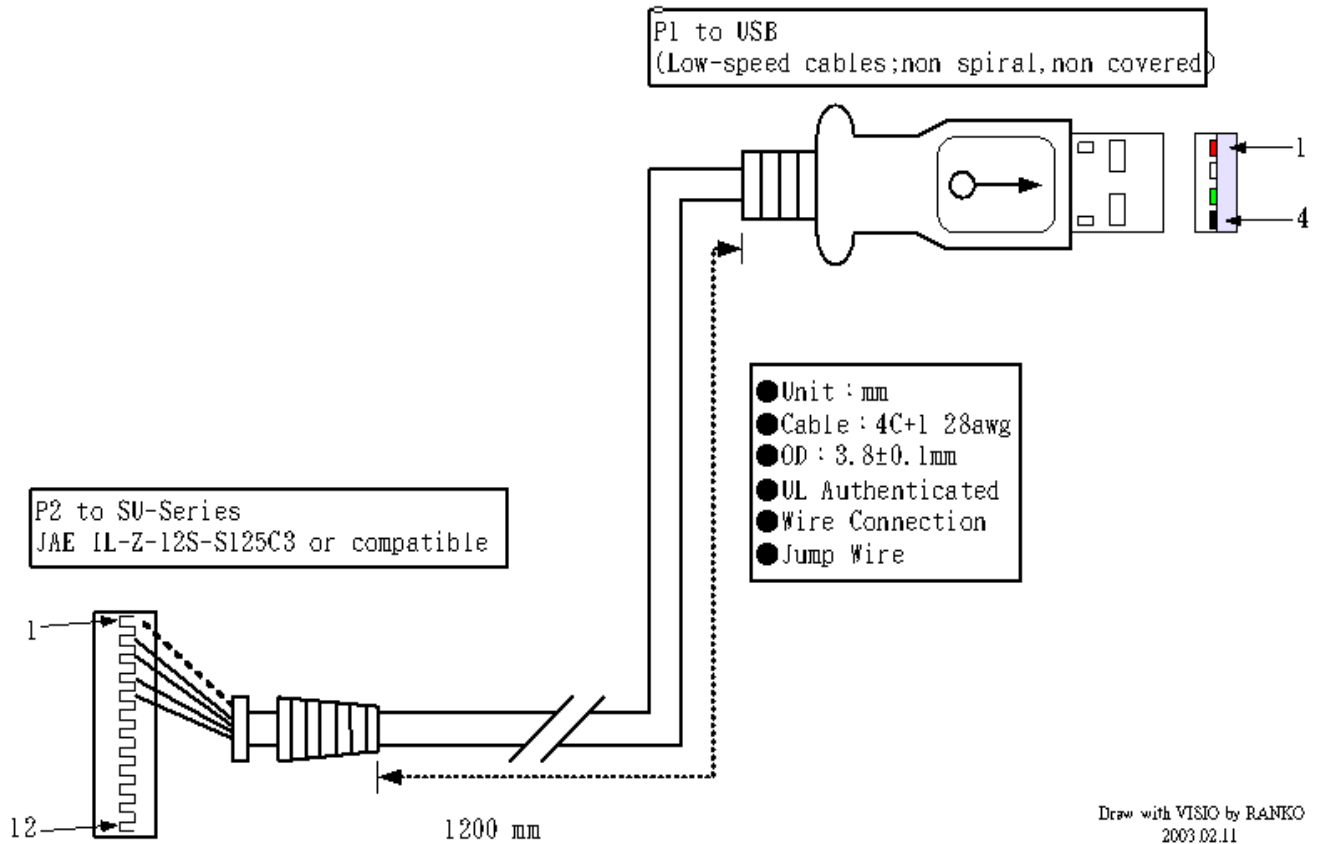


Mechanical Layout 5 (Translucent Bracket type)





SCR28 USB Cable Specification



Pin assignment

Color	P1	P2	Function
Red	1	2	Vcc
White	2	3	Data -
Green	3	4	Data +
Black	4	5	GND
		1	Case GND

