



# SF128

# RS232 8-SAM Card Module

## Feature

- Support up to 8 SAM cards
- Support ISO7816 T=0 / T=1 protocol smart card
- RS232 Interface
- Adjustable baud rate
- Operation responded by two LEDs

## Specification

Item	Specification
Power	DC +4.75V~ +5.25V
Interface	RS232
	9600~115200, N, 8, 1
Smart card	Up to 8 SAM card slots
	ISO7816 T=0 / T=1 Type A
	Communication speed 1ETU= 372
	Frequency 1.8432MHz
I/O	Red LED
	Green LED

## Pin assignment

J11 Power and Communication:

No	Symbol	Function
1	+5V	Power DC +4 • 75V~ DC +5 • 25V
2	PCDSR	PC DSR signal *
3	PCRTS	PC RTD signal *
4	PCDTR	PC DTR signal *
5	GND	Power ground
6	-	RFU
7	PCRXD	PC RXD signal
8	PCTXD	PC TXD signal
9	-	RFU
10	-	RFU
11	-	RFU
12	-	RFU

note: \*not support now



# SF128

# RS232 8-SAM Card Module

## SAM41~SAM48 interface

No	Symbol	Function
1	C1	SAM card VCC
2	C2	SAM card RST
3	C3	SAM card CLK
4	C4	SAM card C4 *
5	C5	SAM card GND
6	C6	SAM card C6 *
7	C7	SAM card IO
8	C8	SAM card C8 *

note: \* floating



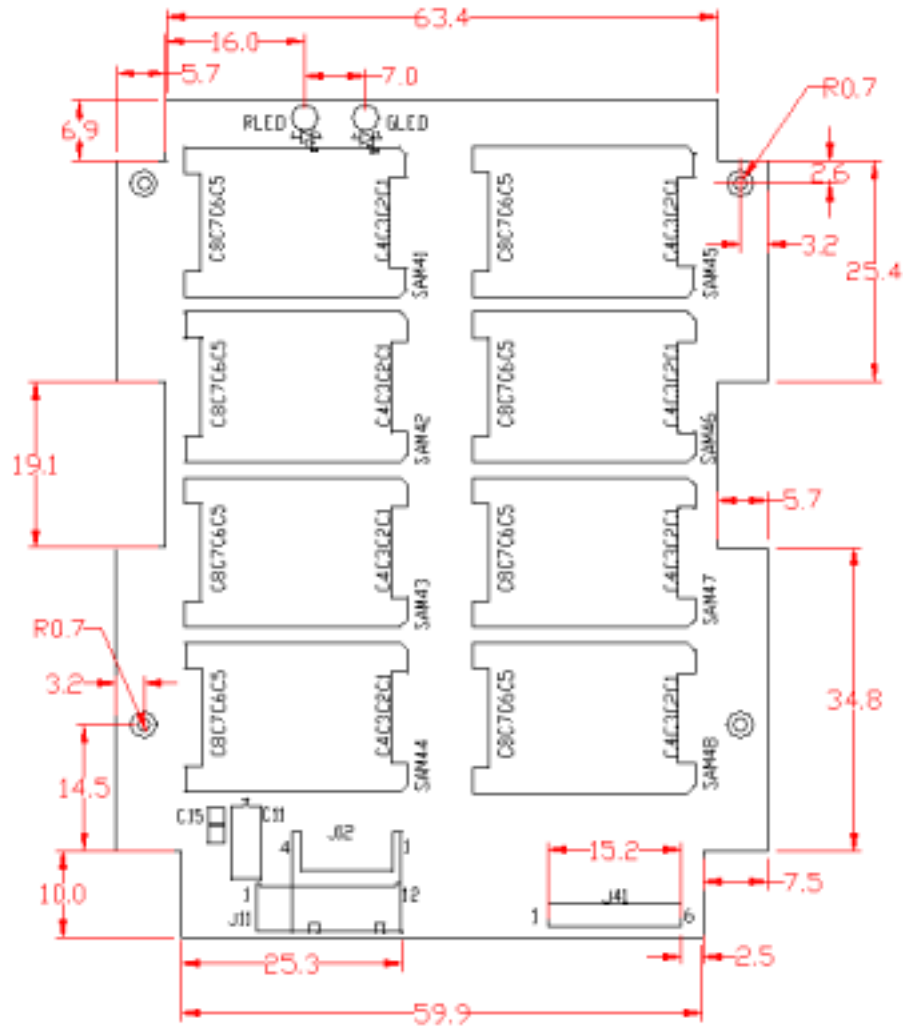
# SF128

# RS232 8-SAM Card Module

Dimension:

Unit: mm

Thickness: PCB=1.6 + Highest component= 4.0 +4.8 = 10.4 mm

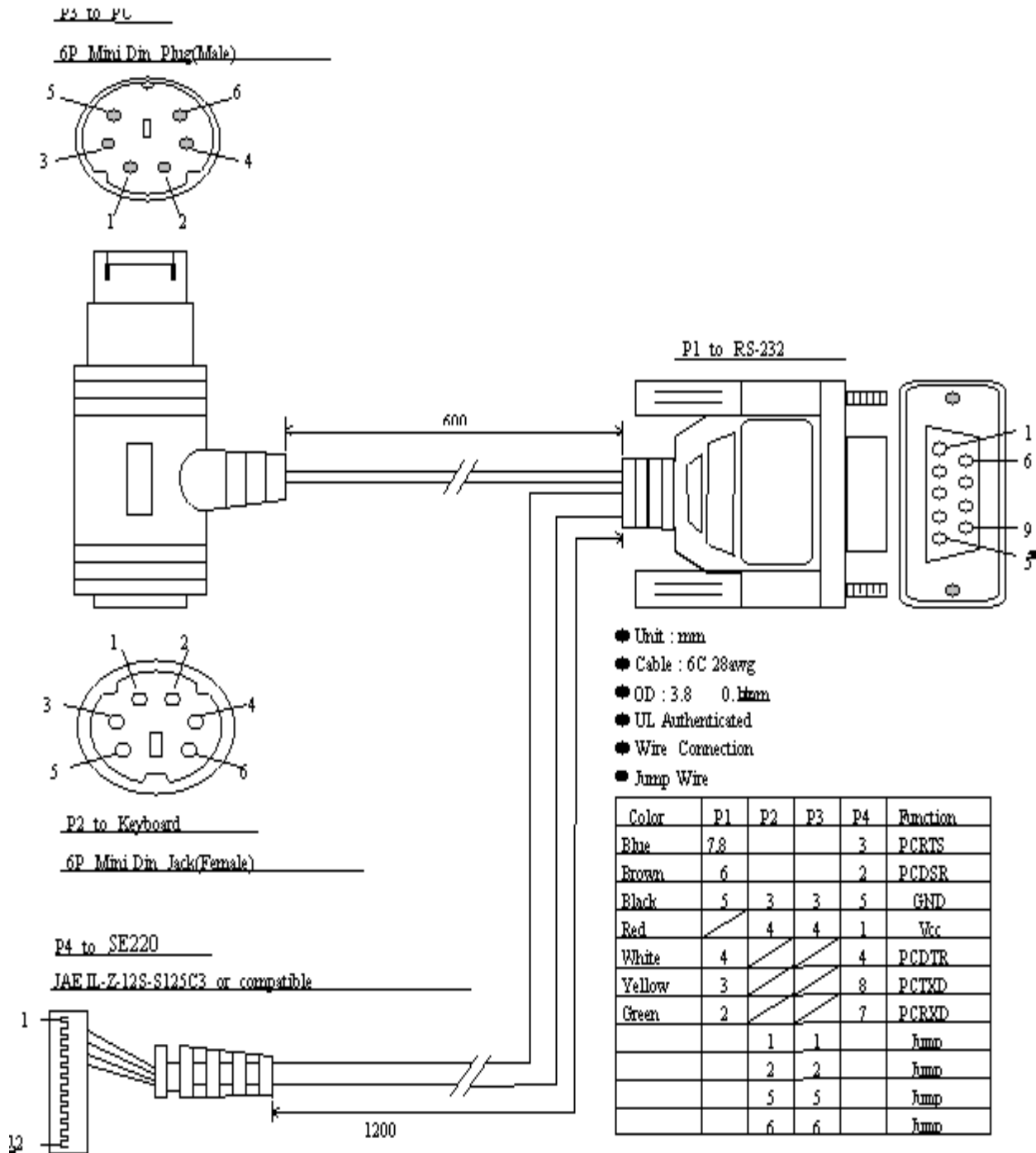


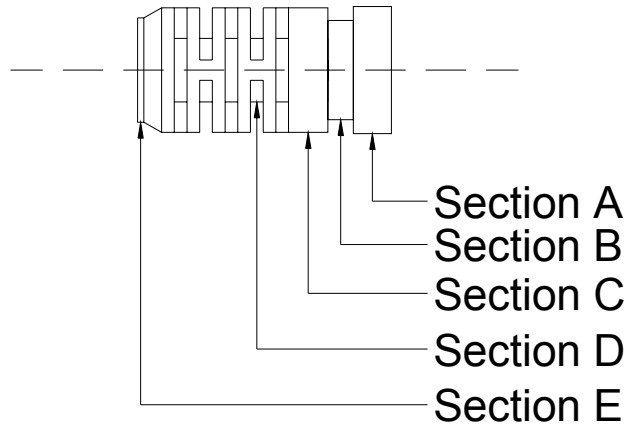


# SF128

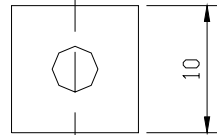
# RS232 8-SAM Card Module

## Cable Specification

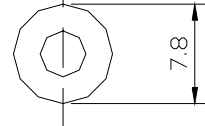




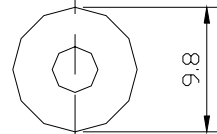
Section A



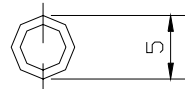
Section B



Section C



Section D



Section E

