

SUII Series

USB Magnetic Card Reader

Feature

- Manual-swipe type reader
- Bi-directional reading capability
- ISO 7810, ISO 7811, JIS X6302 Type 1 & Type 2 conformance
- Direct USB I/O control
- Power supplied by PC USB port
- Operation responded by two LEDs and buzzer
- Small size
- DLL and ActiveX control libraries for all windows systems



Specification

Items		Contents		
ISO 7811, JIS X6302 Type 1	Track	Track 1	Track 2	Track 3
	Recording density	210 BPI	75 BPI	210 BPI
	Capacity	79 characters	40/107 characters	107 characters
	Bits Per Character	7	5	5
	Start / End Code	'%' / '?'	',' / '?'	',' / '?'
JIS X6302 Type 2	Recording density	210 BPI		
	Capacity	72 characters		
	Bits Per Character	8		
	Start / End Code	0x7F / 0x7F		
Card swiping speed	10 ~ 150 cm/sec			
Decoding method	F/2F			
USB	Compliant with USBV1.1			
Power	Power supplied by the computer			
Operation temperature	-10 ~ 50°C			
Life time of head	Approx. 300,000 passes			
Cable length	100 cm			
Operating System	Support Microsoft Windows 98 (2 nd Edition), ME, 2000, XP			

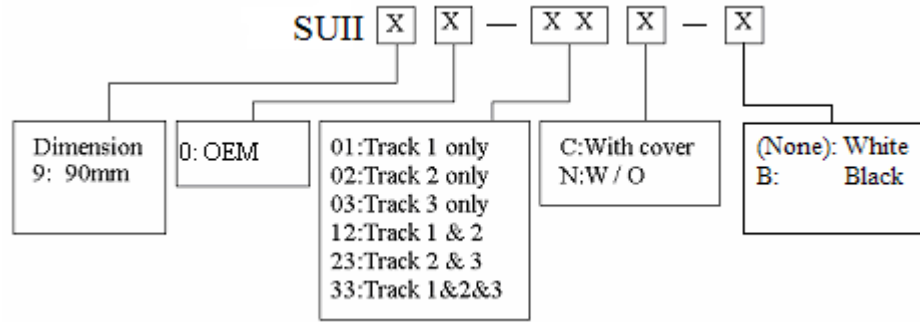
Pin assignment

USB

NO.	Signal
1	Vcc
2	-Data
3	+Data
4	GND

SUII Series USB Magnetic Card Reader

Model description



- White Cover

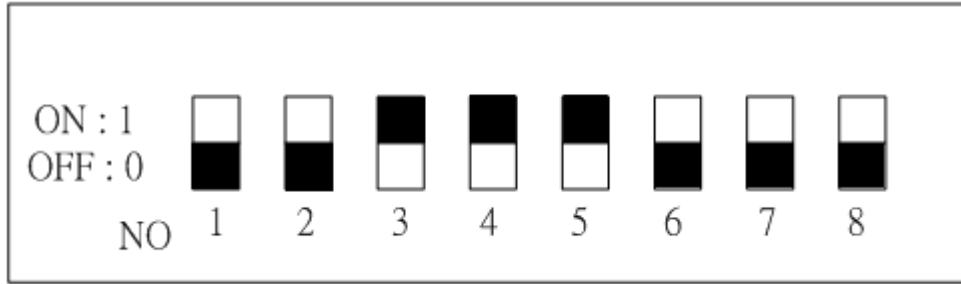


- Black Cover

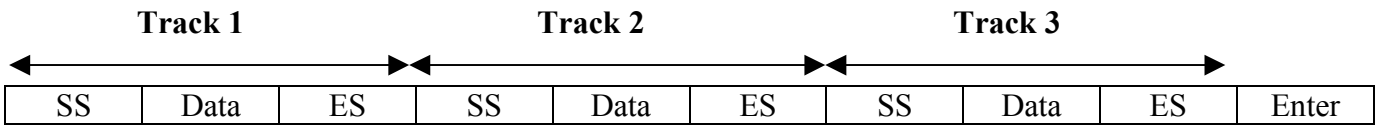


SUII Series USB Magnetic Card Reader

Dip switch setting: 00111000



Data format:

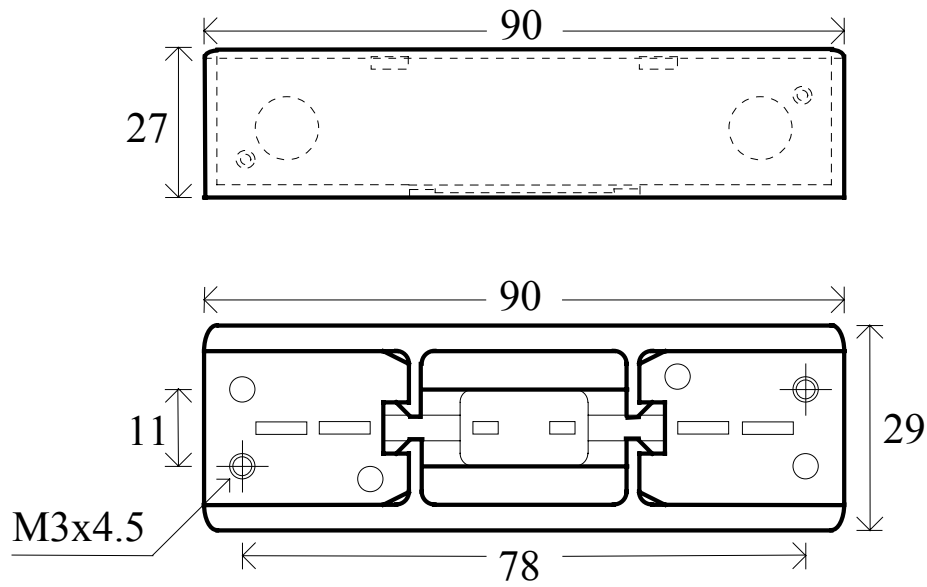


Notes:

- (1) SS: Start sentinel of ISO format T1=0x25 ‘%’, T2 =0x3B ‘;’, T3 =0x3B ‘;’; SS of JIS Type 2 = 0x7F.
- (2) ES: End sentinel of ISO format T1/T2/T3=0x3F “?”; ES of JIS Type 2 = 0x7F.
- (3) Successful Result: The reader will make beep once.
- (4) Failed Result: If card data format is not following ISO-7811 standard or operation error, the reader will beep twice and the red LED will be turned on.
 - 0xF1- LRC error
 - 0xF2- Parity error
 - 0xF3- End Code error
 - 0xF4- Start code error
 - 0xF5- Data empty

SUII Series USB Magnetic Card Reader

Dimension

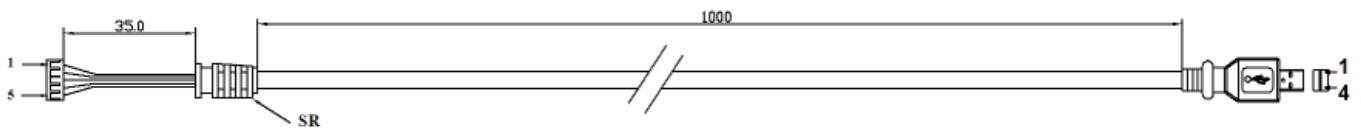


SUII Series USB Magnetic Card Reader

Cable Specification: 1/2

P2 to SU-Series
JAE IL-Z-5S-S125C3 or compatible

P1 to USB
(Low-speed cables;
non spiral, non covered)



Unit: mm

Cable: 4C+1 28AWG

OD: 3.8 ± 0.1 mm

Pin assignment

Color	P1	P2	Function
Red	1	2	Vcc
White	2	3	Data -
Green	3	4	Data +
Black	4	5	GND
		1	Case GND

SUII Series

USB Magnetic Card Reader

Cable Specification: 2/2

