



SKU43 Series

USB Magnetic Card Reader

Feature

- Manual-swipe type reader
- Bi-directional reading capability
- ISO 7810, ISO 7811 conformance
- USB HID device (Human Interface Device)
- Simulating “keyboard” input
- Power supplied by PC USB port
- Operation responded by bicolor LED
- Small size 43 mm



Specification

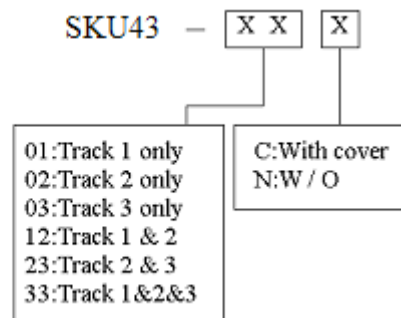
Magnetic Card standard		ISO 7810, ISO 7811, JIS X 6301, JIS X 6302.		
ISO 7811	Track	Track 1	Track 2	Track 3
	Recording density	210 BPI	75 BPI	210 BPI
	Capacity	79 characters (7 bit code)	40 characters (5 bit code)	107 characters (5 bit code)
	Start / End Code	% / ?	; / ?	; / ?
Card swiping speed		10 ~ 150 cm/sec		
Decoding method		F/2F		
USB		Compliant with USBV1.1		
Power		Power supplied by the computer		
Operation temperature		-10 ~ 50°C		
Life time of head		Approx. 300,000 passes		
Cable length		100 cm		
Operating System		Support Microsoft Windows 98 (2 nd Edition), ME, 2000, XP		

Pin assignment

USB

NO.	Signal
1	Vcc
2	-Data
3	+Data
4	GND

Model description

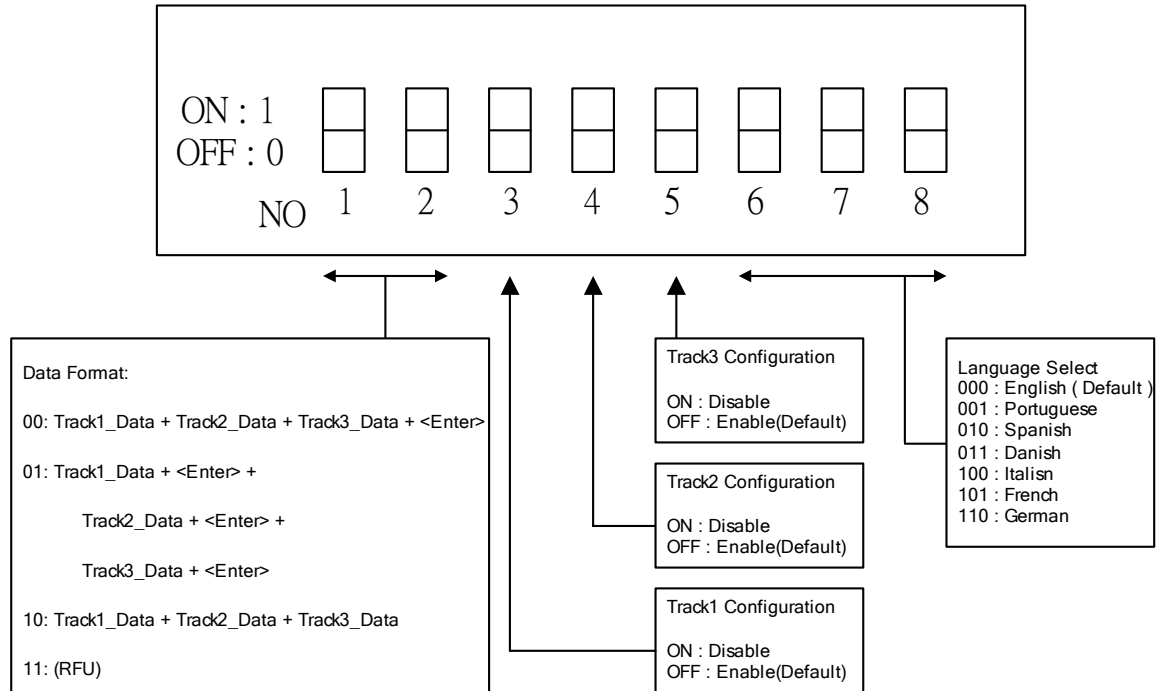




SKU43 Series

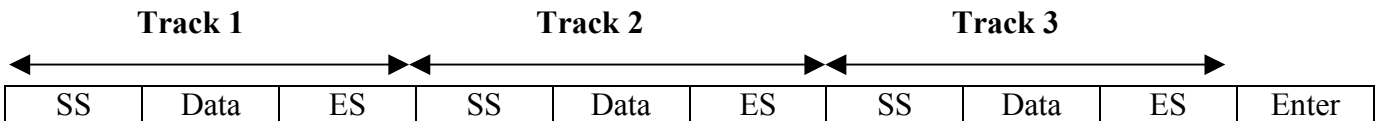
USB Magnetic Card Reader

1. DIP switch definition:

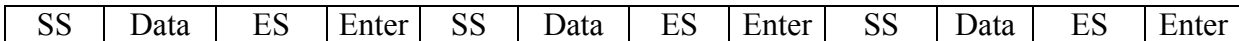


Data format:

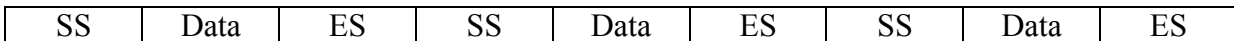
- SW1 SW2 00



- SW1 SW2 01



- SW1 SW2 10



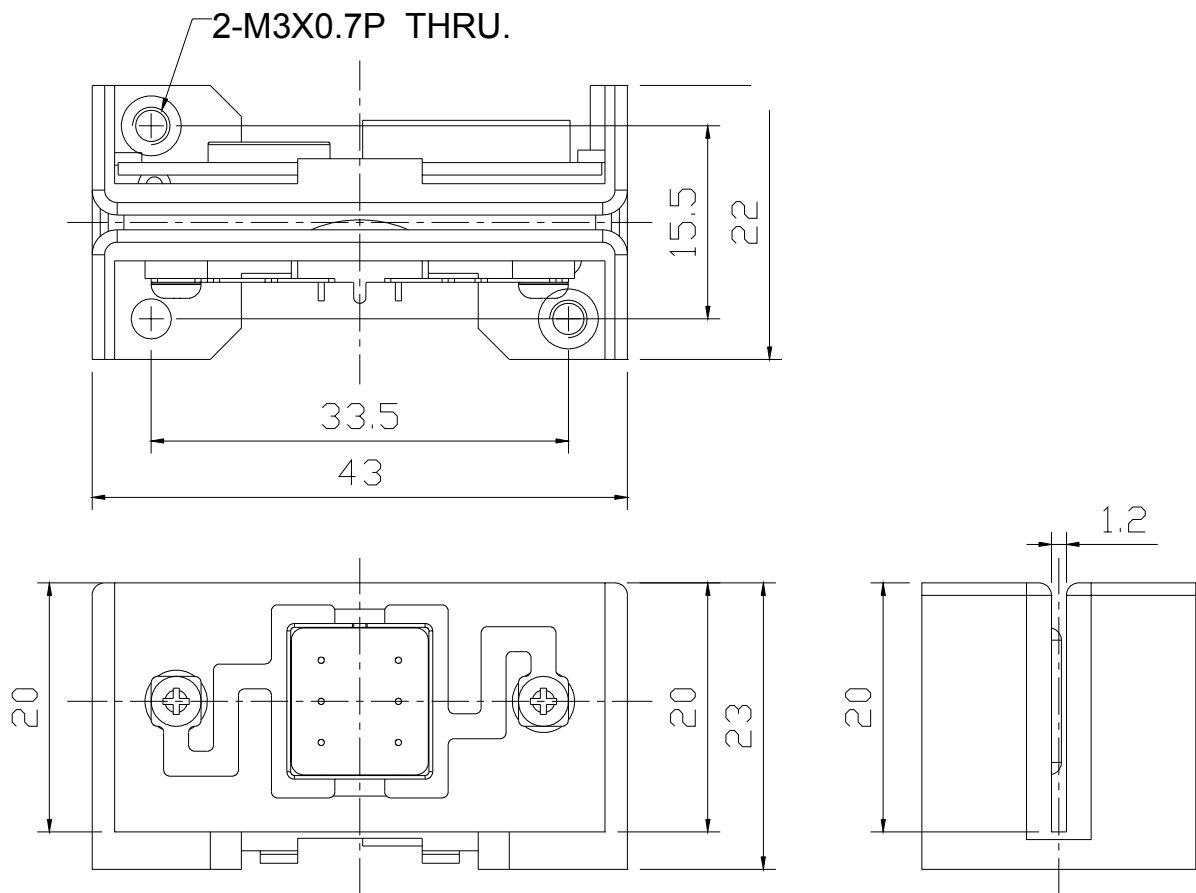
Notes:

- (1) SS: Start sentinel of ISO format T1=0x25 ‘%’, T2 = T3 = 0x3B ‘;’.
- (2) ES: End sentinel of ISO format T1/T2/T3=0x3F ‘?’.
- (3) Successful Result: The reader will make beep once.
- (4) Failed Result: If card data format is not following ISO-7811 standard or operation error, the reader will beep twice and the red LED will be turned on.
- (5) API Mode: Push DIP SWITCH 3、4、5 ON and it will change from HID mode to API mode. You can use the libraries (OCX) that you can find in product CD-ROM’ SUII folder to control the reader.



SKU43 Series USB Magnetic Card Reader

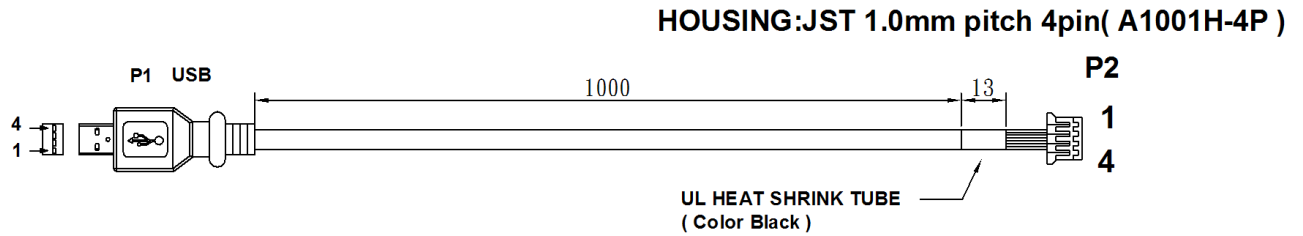
Dimension (Unit: mm)





SKU43 Series USB Magnetic Card Reader

Cable Specification: SCAB060A



Unit : mm
 Cable : 4c 28 AWG
 OD : 3.8±0.1mm
 UL Authenticated
 Wire Connection
 Jump Wire

P1 No.	P2 No.	Color	Function
1	1	Red	Vcc
2	2	White	Data -
3	3	Green	Data +
4	4	Black	GND