



SR Series

Feature

- Manual-swipe type reader
- Bi-directional reading capability
- ISO 7811, CA_DMV and AAMVA standards conformance
- RS-232 interface baud rate adjustable
- Operation responded by two LEDs and buzzer
- Power supplied by PC keyboard.
- DLL/OCX developing kit for Windows 98/ME/NT/2000/XP
- Sleeping mode (power saving)
- CE and FCC Certificate

Specification

Item	Content
Magnetic Card standard	ISO 7811, AAMVA, CADMV
Decoding method	F/2F
Power	5 VDC (supplied by the computer PS/2)
Current Consumption	30 mA (reading card); 10 mA (sleep mode)
Connector	Keyboard AT, PS/2, DB-9 to com port
Card operation speed	10 ~ 180 cm/sec
Operation temperature	-10 ~ 50°C
Life time of head	Approx. 300,000 passes
Baud rate	2400 bps, 9600 bps, 19200 bps
Cable length	120 cm

Pin assignment

AT KB

NO.	Signal
1	—
2	—
3	—
4	GND
5	Vcc

PS/2 KB

NO.	Signal
1	—
2	—
3	GND
4	Vcc
5	—
6	—

DB-9

NO.	Signal
1	—
2	TXD
3	RXD
4	—
5	GND
6	—
7	—
8	—
9	—

Dimension

Model NO.	Dimension (L×W×Hmm)
SR90 Series	90×29×27mm

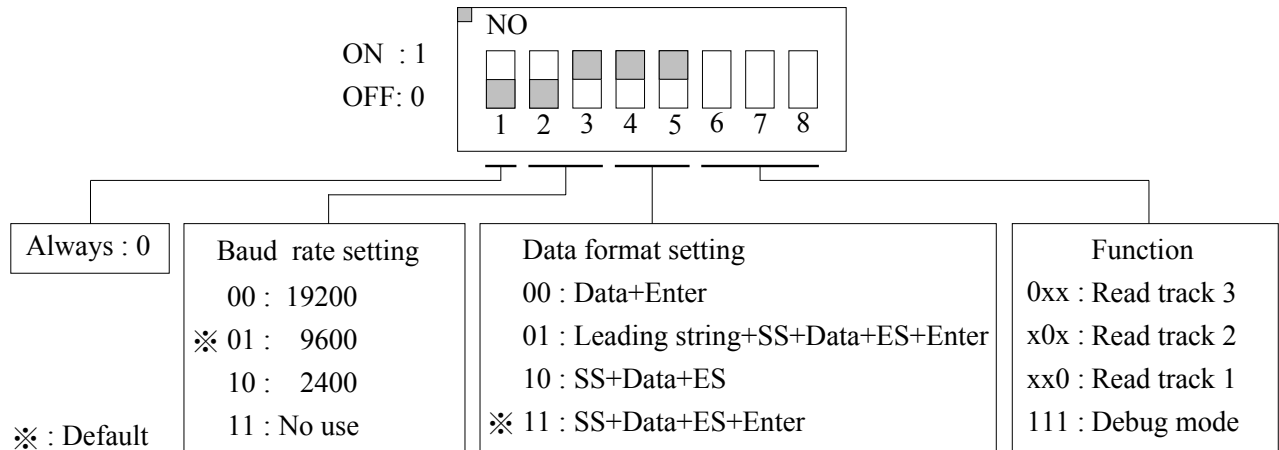
Model description





SR Series Installation

1. SR DIP Switch definition:



2. SR command set:

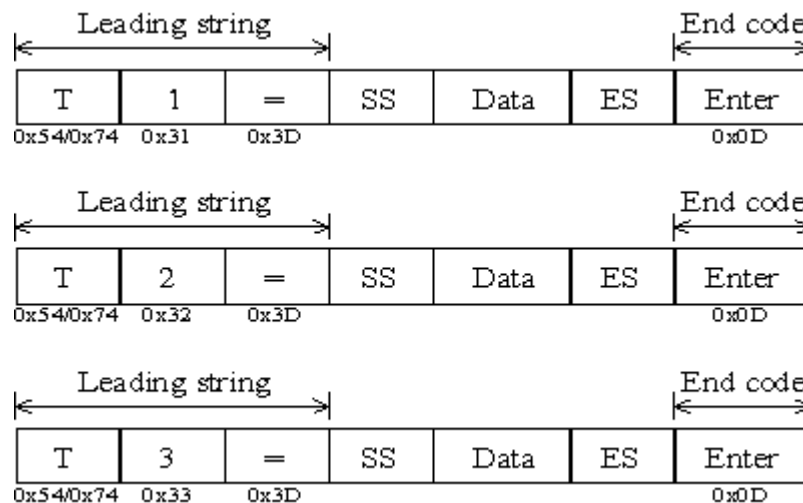
NO.	PC command	SR response
1	0DH	Version+0DH
2	BBH	Alarm and response 06H

Version String:

“SINGULAR MAGNETIC CARD READER SR_USA VX.X YYYY/MM/DD SWITCH=11000111”.

The last 8 bits are reverse with the above switch definition.

3. Data format:



- 1.1 Leading string: The identification of track data. It could be disabled or enabled by setting DIPswitch.



1.2 SS: Start sentinel:

- ISO T1="0", T2="," T3="."
- AAMVA T1="0", T2="," T3="0" (T1=T3="0", "!", "#" or "+")
- CA DMV T1="0", T2="," T3="!" (T1=T3="0", "!", "#" or "+")

1.3 Data will be:

- Card data: successful
- Bit map: just only for debug mode, "1" means value of 1, ".", means value of 0.
- "Error!!": Card data format is not following any standard, or operation error. If error, SR will make twice beep sound.
- "Empty!!": This track is empty.

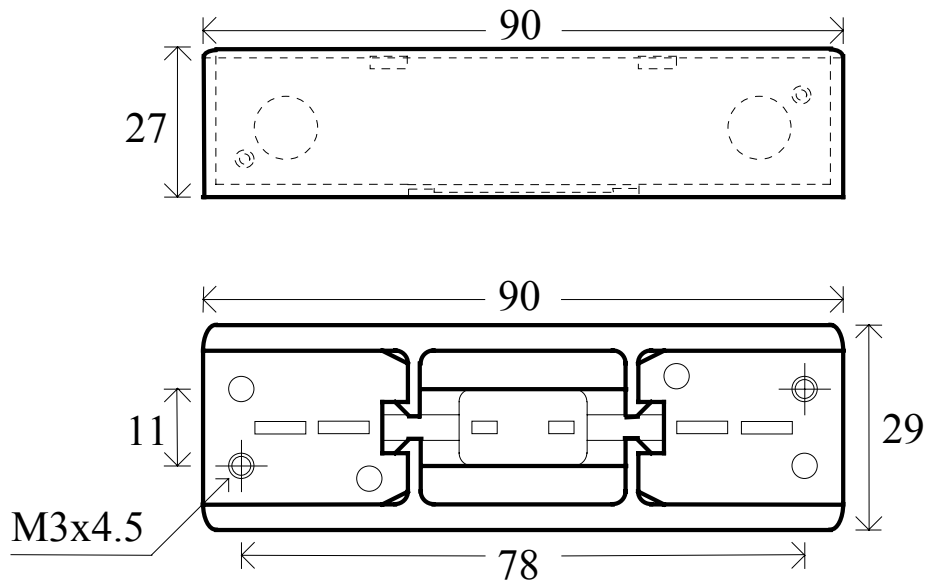
1.4 ES: End sentinel:

- ISO T1=T2=T3="?"
- AAMVA T1=T2=T3="?"
- CA DMV T1=T2=T3="?"



SR Series Dimension

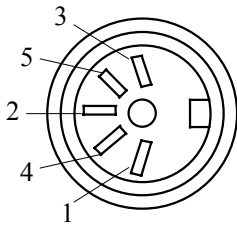
90mm



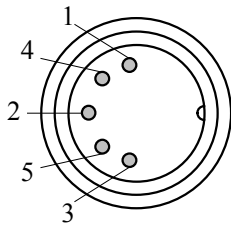
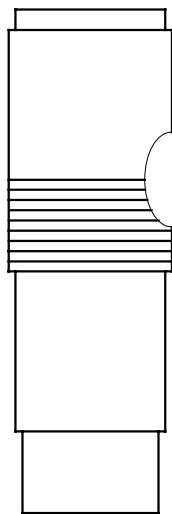


SR Cable Specification

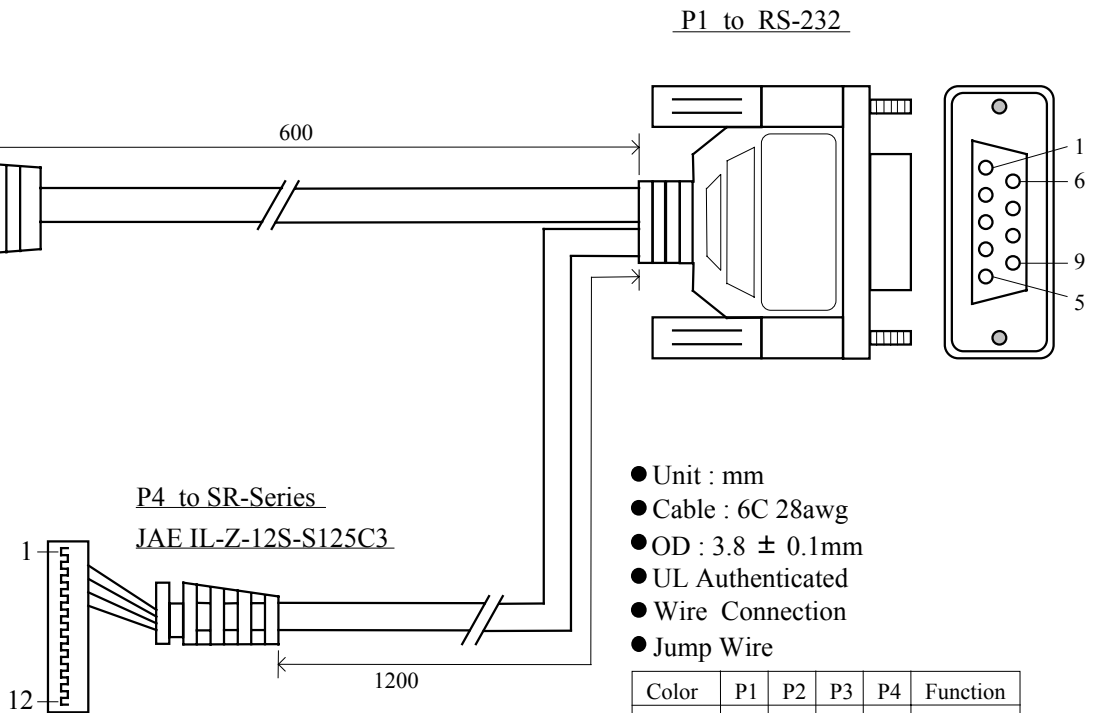
SR AT Connector SCAB002-B



P2 to Keyboard
5P Din Jack



P3 to PC
5P Din Plug



- Unit : mm
- Cable : 6C 28awg
- OD : $3.8 \pm 0.1\text{mm}$
- UL Authenticated
- Wire Connection
- Jump Wire

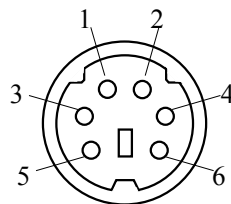
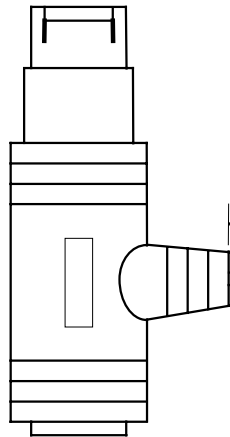
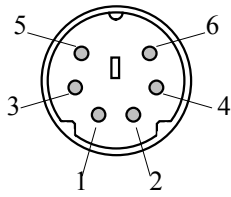
Color	P1	P2	P3	P4	Function
Black	5	4	4	2	GND
Red		5	5	3	Vcc
Yellow	3			4	PCTXD
Green	2			5	PCRXD
		1	1		Jump
		2	2		Jump
		3	3		Jump
	4,6				Jump
	7,8				Jump



SR_PS/2 Connector SCAB002-C

P3 to PC

6P Mini Din Plug(Male)

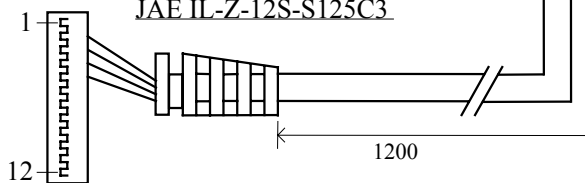


P2 to Keyboard

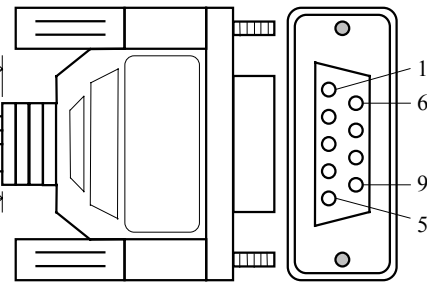
6P Mini Din Jack(Female)

P4 to SR-Series

JAE IL-Z-12S-S125C3



P1 to RS-232



- Unit : mm
- Cable : 6C 28awg
- OD : 3.8 ± 0.1mm
- UL Authenticated
- Wire Connection
- Jump Wire

Color	P1	P2	P3	P4	Function
Black	5	3	3	2	GND
Red		4	4	3	Vcc
Yellow	3			4	PCTXD
Green	2			5	PCRXD
		1	1		Jump
		2	2		Jump
		5	5		Jump
		6	6		Jump
	4,6				Jump
	7,8				Jump