



# SCR35 Series Hybrid Manual Insertion Card Reader

## Feature

- 3-in-1 Hybrid smart/memory/magnetic card reader
- 32-bit processor with high performance
- Compliant with ISO7811, ISO7816, EMV 2000 Level 1
- Manual Removal to read the magnetic card
- IC card landing contact
- On-board flash to upgrade firmware easily
- Card insertion responded by LED
- USB & RS232 interface
- CCID standard compliant
- Plug & play installation for Microsoft Windows
- Drivers, demo programs and libraries for Microsoft Windows.
- CE & FCC certificated

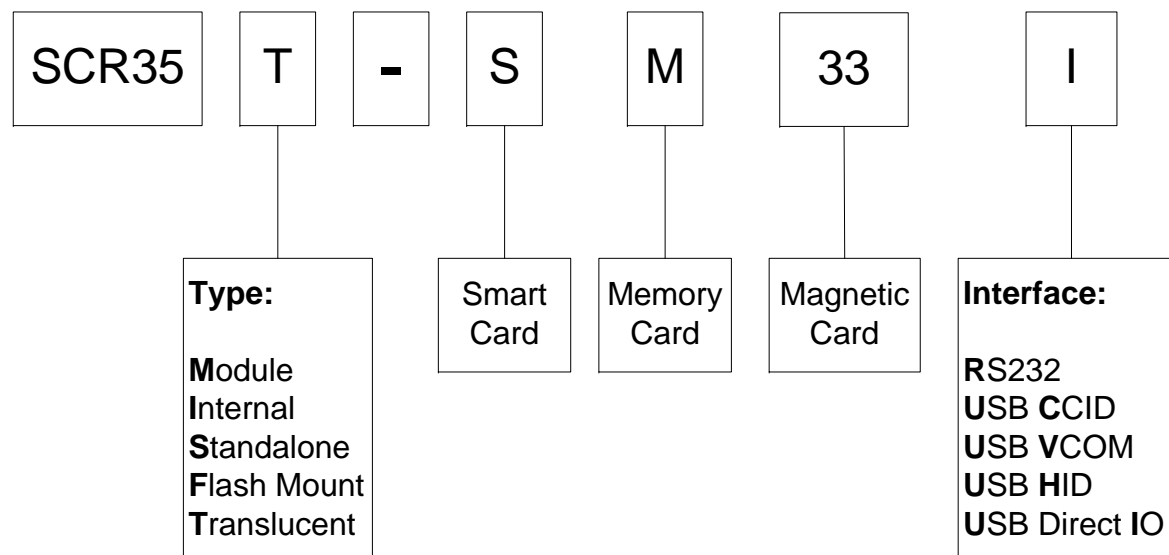
## Specification

| Item  |                   | Content   |                                   |                                |
|---|-------------------|---|-----------------------------------|--------------------------------|
| Magnetic Card   |                   | ISO 7810, ISO 7811, JIS X 6301, JIS X 6302 (Read only)              |                                   |                                |
| ISO 7811  | Track             | Track 1   | Track 2                           | Track 3                        |
|   | Recording density | 210 BPI   | 75/210 BPI                        | 210 BPI                        |
|   | Capacity          | 79 characters<br>(7 bit code)                                       | 40/107 characters<br>(5 bit code) | 107 characters<br>(5 bit code) |
|   | Start / End Code  | % / ?   | ; / ?                             | ; / ?                          |
| JISX6302<br>Type 1                                    | Track             | Track 1   | Track 2                           | Track 3                        |
|   | Recording density | 210 BPI   | 75 BPI                            | 210 BPI                        |
|   | Capacity          | 79 characters<br>(7 bit code)                                       | 40 characters<br>(5 bit code)     | 107 characters<br>(5 bit code) |
|   | Start / End Code  | % / ?   | ; / ?                             | ; / ?                          |
| JISX6302<br>Type 2                                    | Recording density | 210 BPI   |                                   |                                |
|   | Capacity          | 72 characters<br>(8 bit code)                                       |                                   |                                |
|   | Start / End Code  | DEL / DEL   |                                   |                                |
| Smart Card  |                   | ISO 7816 T=0,T=1, EMV 2000 Level 1 compliant (R/W)                  |                                   |                                |
| Memory Card   |                   | SLE 4442/4432, SLE4428/4418, AT24CXX(R/W)                           |                                   |                                |
| Interface   |                   | RS232 ( 9600 n 8 1 )<br>USB1.1 & 2.0 ( CCID, HID, VCOM, Direct IO ) |                                   |                                |
| Life time of Mag. head, IC card contact and mechanism |                   | Min. 300,000 times of Contacts & Insertion                          |                                   |                                |
| Operation temperature                                 |                   | -10 ~ 50°C  |                                   |                                |
| Driver and demo program                               |                   | Microsoft Windows 32 & 64 bits                                      |                                   |                                |

# SCR35 Series

## Hybrid Manual Insertion Card Reader

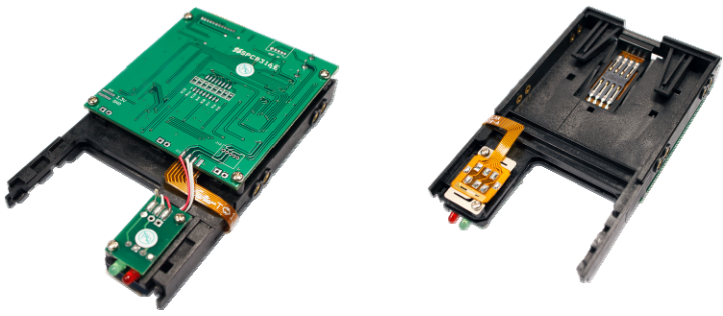


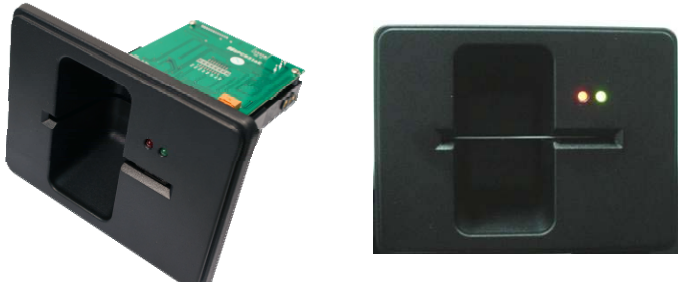
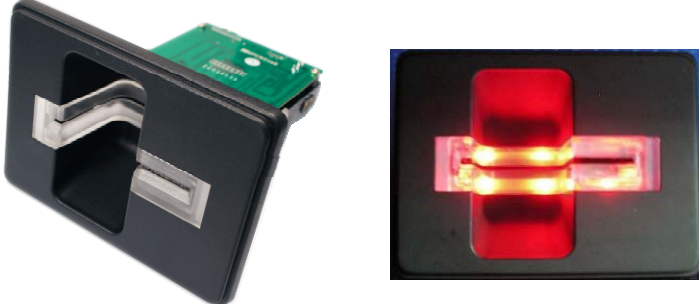
### Model description



| Mode No.    | IC Card    |             | Magnetic Card<br>3 Tracks | RS232 | USB  |      |     |           |
|-------------|------------|-------------|---------------------------|-------|------|------|-----|-----------|
|             | Smart Card | Memory Card |                           |       | CCID | VCOM | HID | Direct IO |
| SCR35X (R)  | •          | •           | •                         | •     |      |      |     |           |
| SCR35X (UC) | •          |             | •                         |       | •    |      |     |           |
| SCR35X (UV) | •          | •           | •                         |       |      | •    |     |           |
| SCR35X (UH) | •          | •           | •                         |       |      |      | •   |           |
| SCR35X (UI) |            |             | •                         |       |      |      |     | •         |

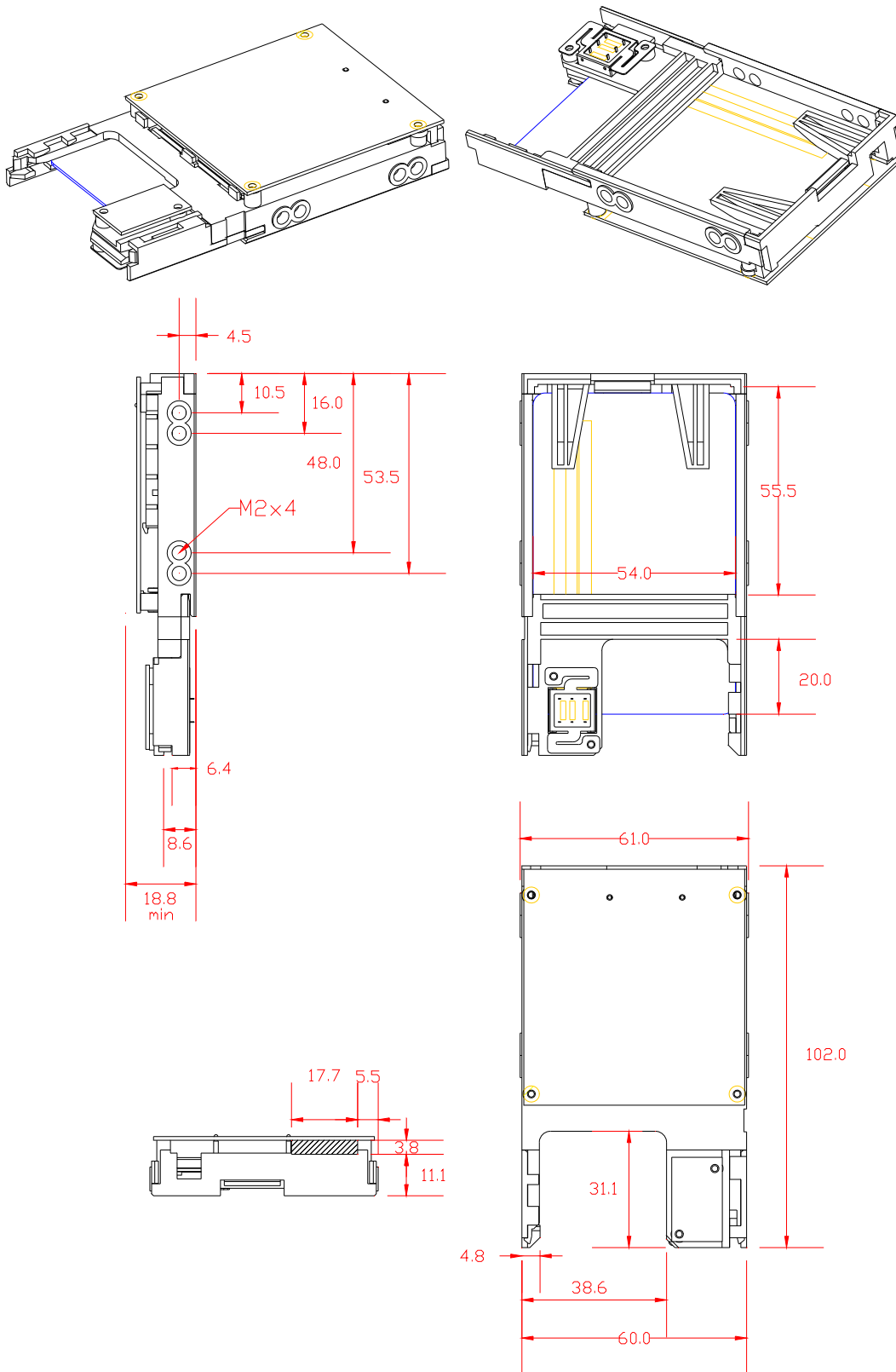
# SCR35 Series Hybrid Manual Insertion Card Reader

## Model picture

| Types                      | Pictures   |
|----------------------------|--|
| <b>Module</b>              |    |
| <b>Internal</b>            |   |
| <b>Standalone</b>          |  |
| <b>Flush Mount Bracket</b> |  |
| <b>Translucent Bracket</b> |  |

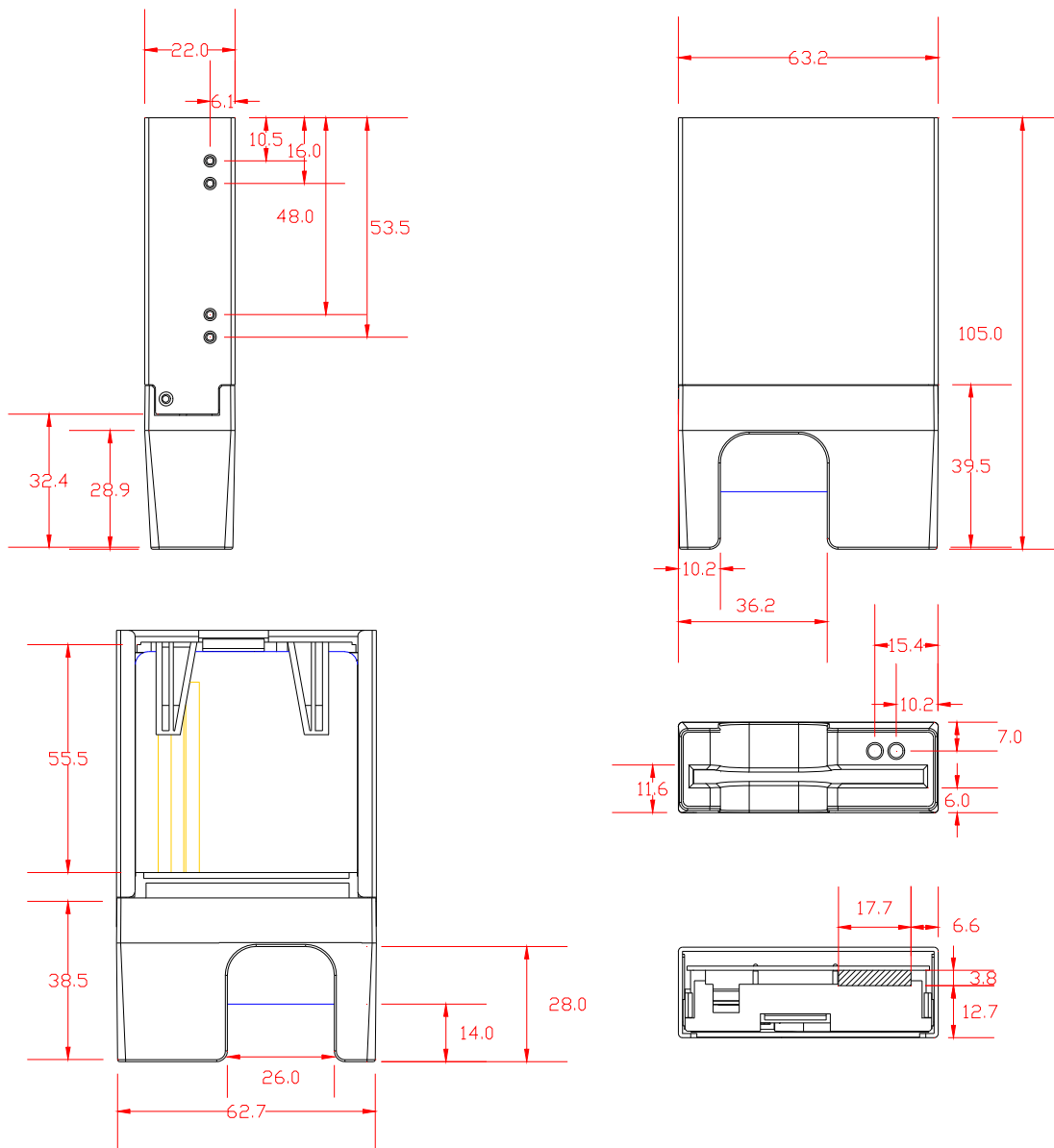
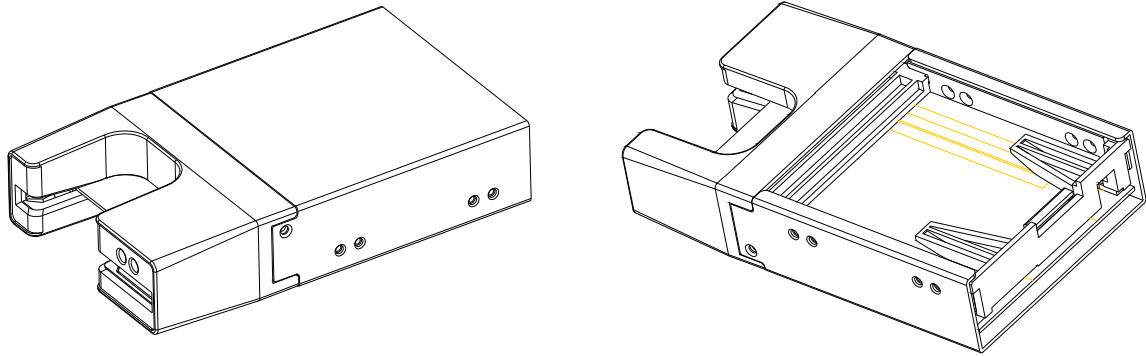
# SCR35 Series Hybrid Manual Insertion Card Reader

## Mechanical Layout 1 (Module type)



## Mechanical Layout 2 (Internal type)

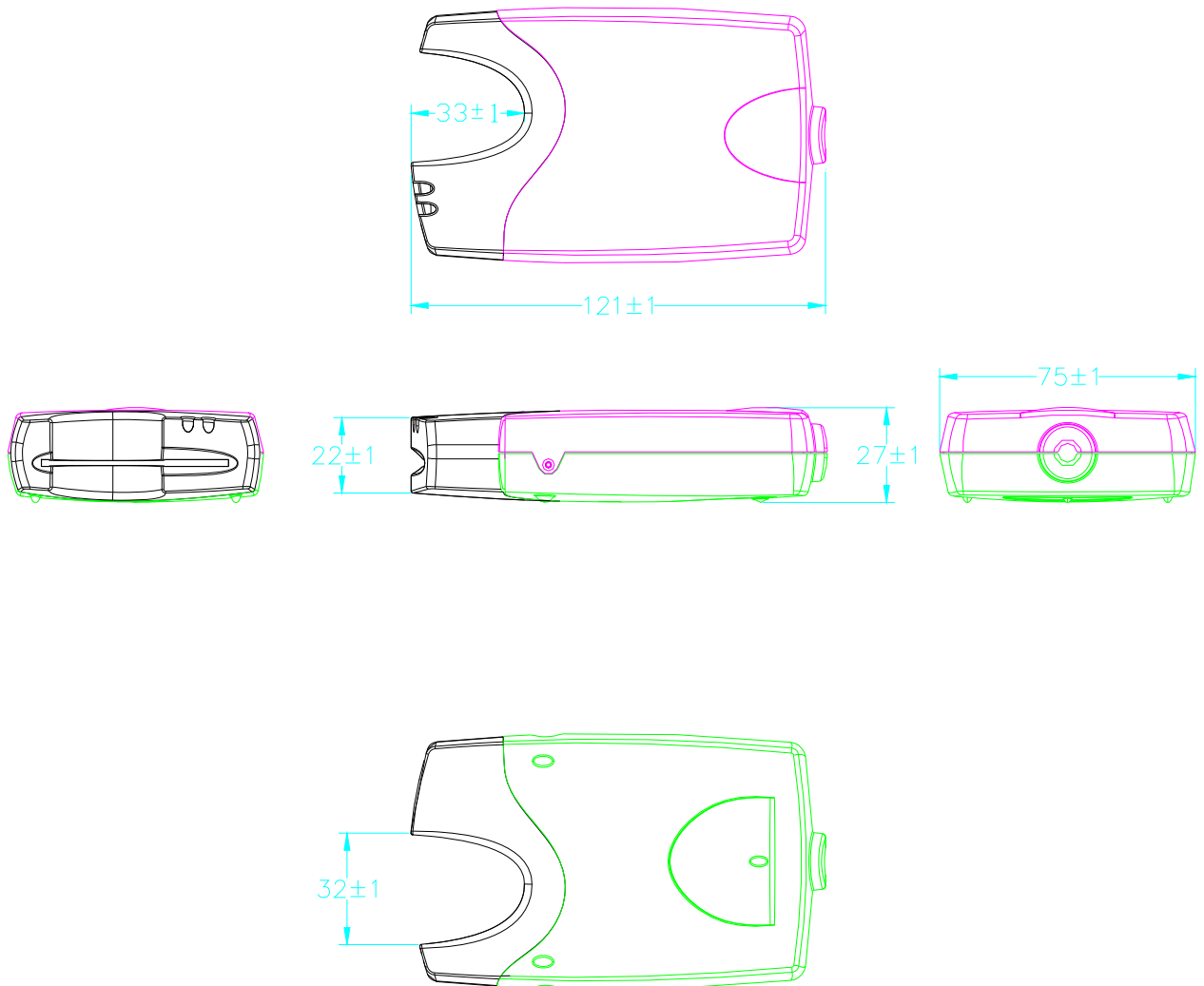
# SCR35 Series Hybrid Manual Insertion Card Reader





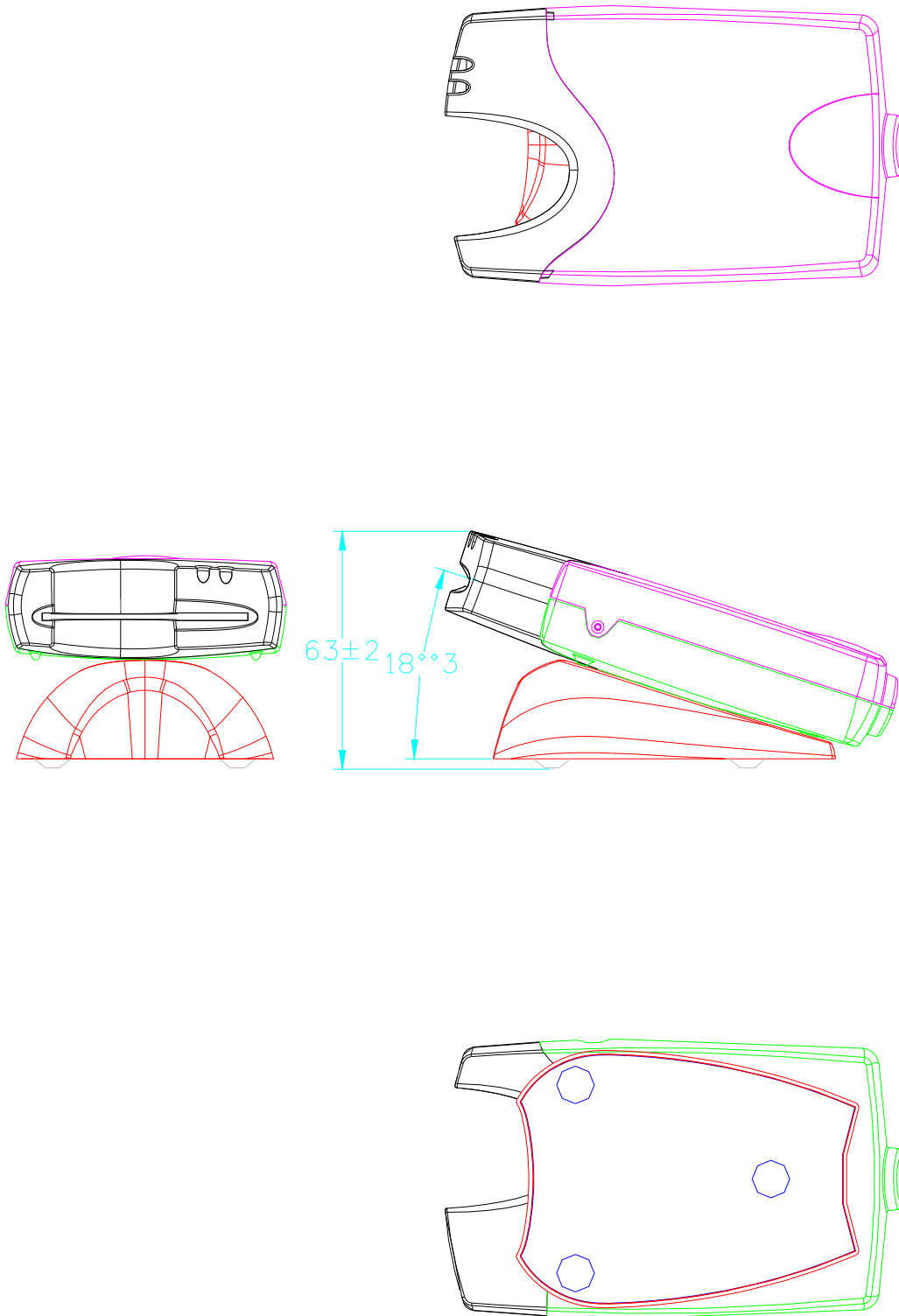
# SCR35 Series Hybrid Manual Insertion Card Reader

## Mechanical Layout 3 (Standalone type)



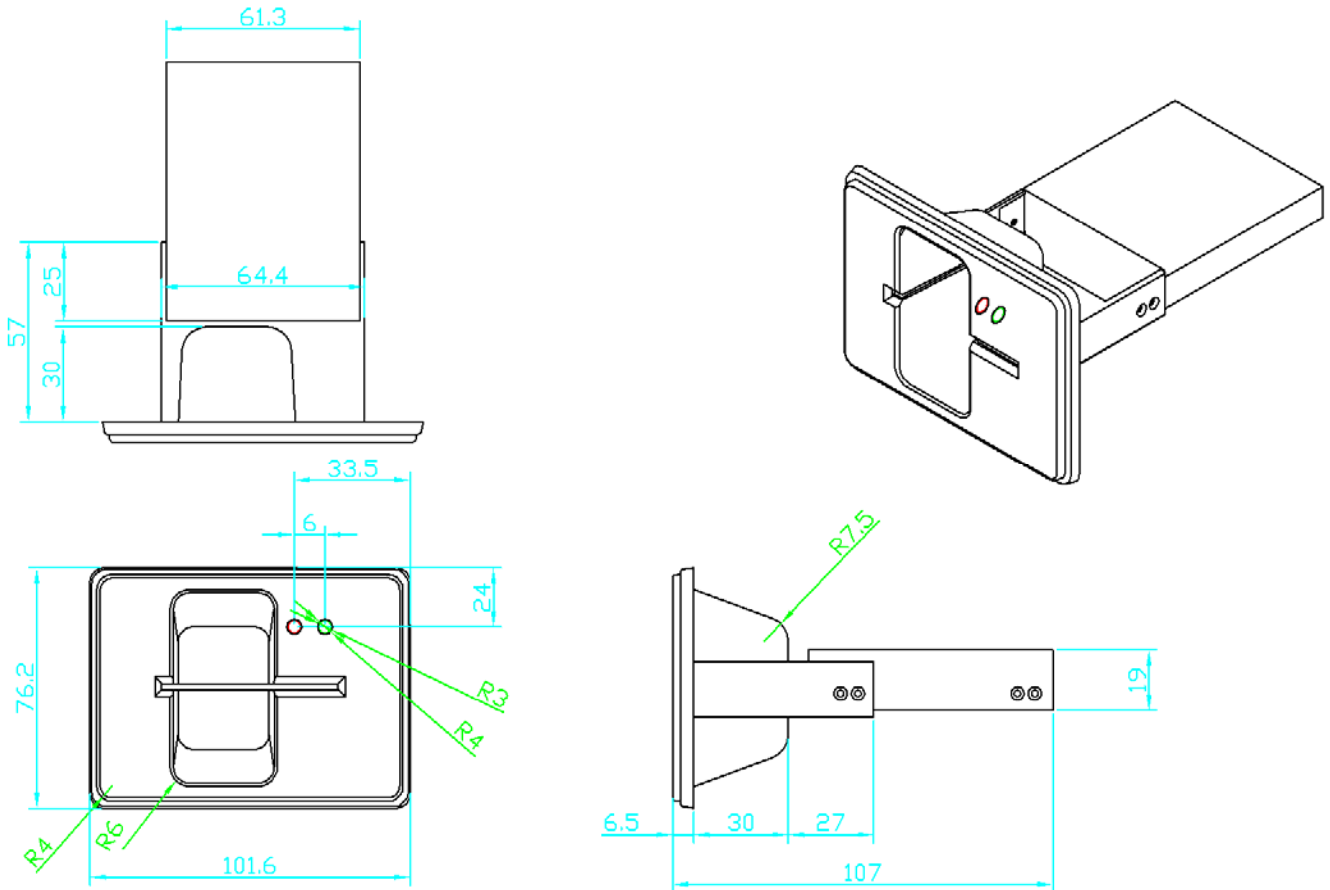


# SCR35 Series Hybrid Manual Insertion Card Reader



# SCR35 Series *Hybrid Manual Insertion Card Reader*

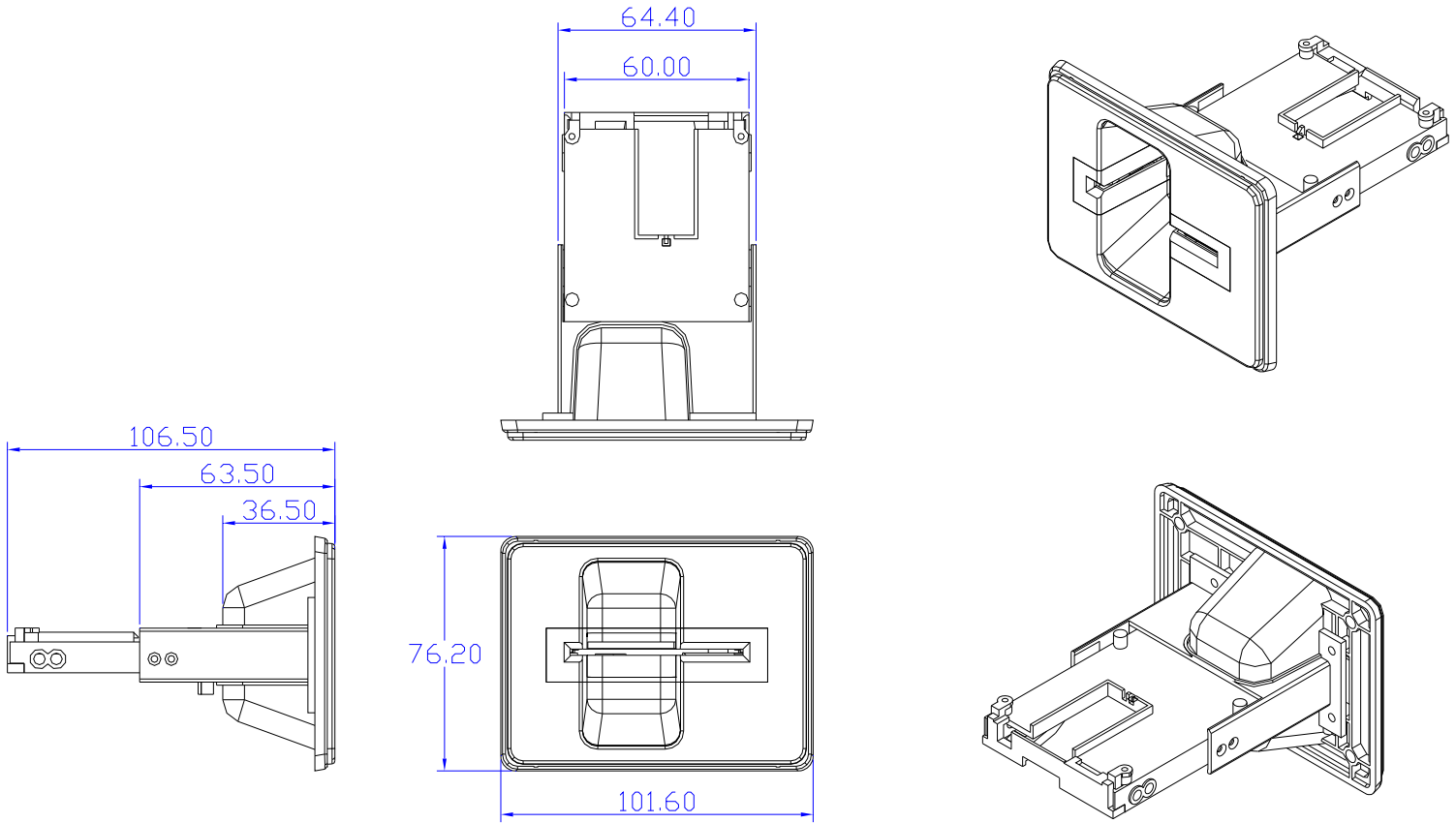
## Mechanical Layout 4 (Flush Mount Bracket type)





# SCR35 Series Hybrid Manual Insertion Card Reader

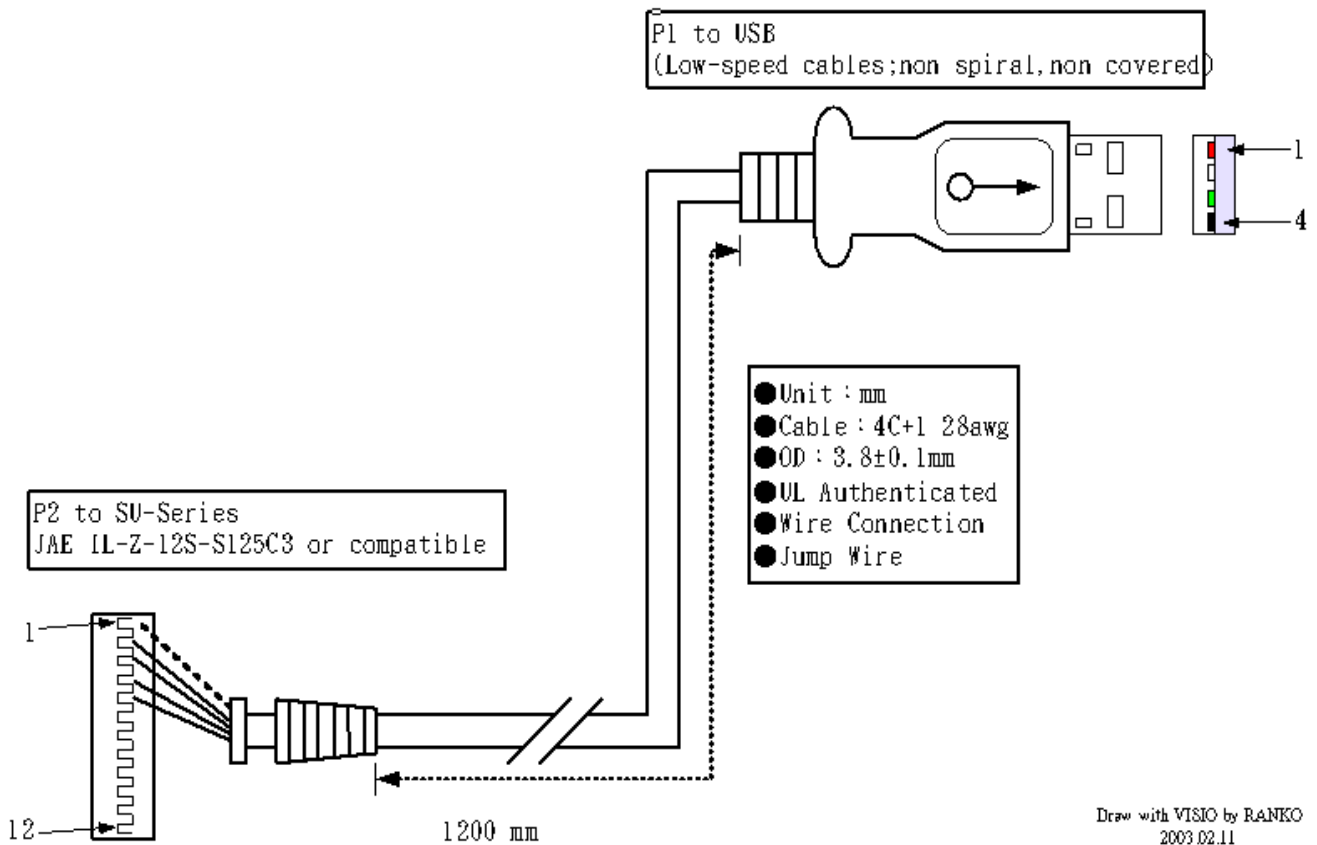
## Mechanical Layout 5 (Translucent Bracket type)





# SCR35 Series Hybrid Manual Insertion Card Reader

## SCR35 USB Cable Specification



### Pin assignment

| Color | P1 | P2 | Function |
|-------|----|----|----------|
| Red   | 1  | 2  | Vcc      |
| White | 2  | 3  | Data -   |
| Green | 3  | 4  | Data +   |
| Black | 4  | 5  | GND      |
|       |    | 1  | Case GND |

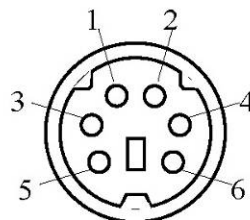
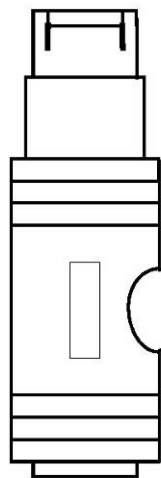
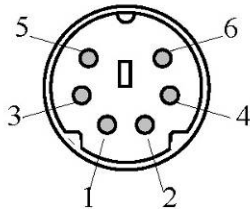
# SCR35 Series Hybrid Manual Insertion Card Reader

## SCR35 RS232 Cable Specification

SCR28 PS/2 Connector SCAB015-A

P3 to PC

6P Mini Din Plug(Male)

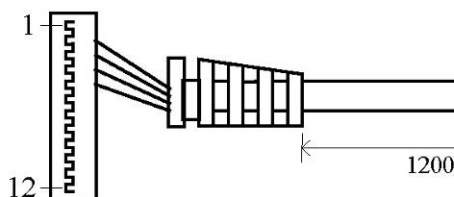


P2 to Keyboard

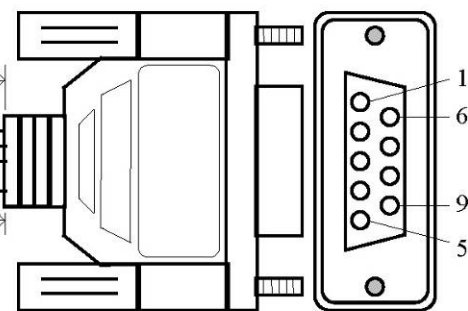
6P Mini Din Jack(Female)

P4 to SCR28

JAE IL-Z-12S-S125C3 or compatible



P1 to RS-232



- Unit : mm
- Cable : 6C 28awg
- OD :  $3.8 \pm 0.1$ mm
- UL Authenticated
- Wire Connection
- Jump Wire

| Color  | P1  | P2 | P3 | P4 | Function |
|--------|-----|----|----|----|----------|
| Blue   | 7,8 |    |    | 3  | PCRTS    |
| Brown  | 6   |    |    | 2  | PCDSR    |
| Black  | 5   | 3  | 3  | 5  | GND      |
| Red    | /   | 4  | 4  | 1  | Vcc      |
| White  | 4   | /  | /  | 4  | PCDTR    |
| Yellow | 3   | /  | /  | 8  | PCTXD    |
| Green  | 2   | /  | /  | 7  | PCRXD    |
|        |     | 1  | 1  |    | Jump     |
|        |     | 2  | 2  |    | Jump     |
|        |     | 5  | 5  |    | Jump     |
|        |     | 6  | 6  |    | Jump     |



# SCR35 Series Hybrid Manual Insertion Card Reader

